



GROUP 09 – FRONT END SHEET METAL

GRILLE

- FIG. 09-1 R-100, R-110, R-120, R-130 SERIES
- FIG. 09-2 R-140-4x4, R-150, R-160, R-160-4x4 SERIES
- FIG. 09-3 RC-160 SERIES

HOOD

- FIG. 09-4 R-100, R-110, R-120, R-130, R-140-4x4
R-150, R-160, R-160-4x4 SERIES
- FIG. 09-5 RC-160 SERIES (FRONT VIEW)
- FIG. 09-6 RC-160 SERIES (REAR VIEW)

FRONT FENDERS AND SPLASH PANELS

- FIG. 09-7 R-100, R-110, R-120, R-130, R-140-4x4
R-150, R-160, R-160-4x4 SERIES
- FIG. 09-8 RC-160 SERIES
- FIG. 09-9 (EXPORT SPLASH PANEL) R-100, R-110, R-120, R-130, R-140-4x4
R-150, R-160, R-160-4x4 SERIES

RUNNING BOARDS

- FIG. 09-10 (LONG) R-100, R-110, R-120, R-130 SERIES
- FIG. 09-11 (SHORT) R-100, R-110, R-120, R-130, R-140-4x4, R-150, R-160
R-160-4x4 SERIES

ENGINE DUST SHIELDS

- FIG. 09-12 (STANDARD) R-100, R-110, R-120, R-130, R-140-4x4
R-160-4x4 SERIES
- FIG. 09-13 (EXPORT AND CODE 0901) R-100, R-110, R-120, R-130, R-150, RC-160 SERIES

REAR FENDERS

- FIG. 09-14 R-100, R-110, R-120, R-130, R-150, R-160

09

MT-97 Rev. No. 2, 7/56

GROUP 09 - FRONT END SHEET METAL

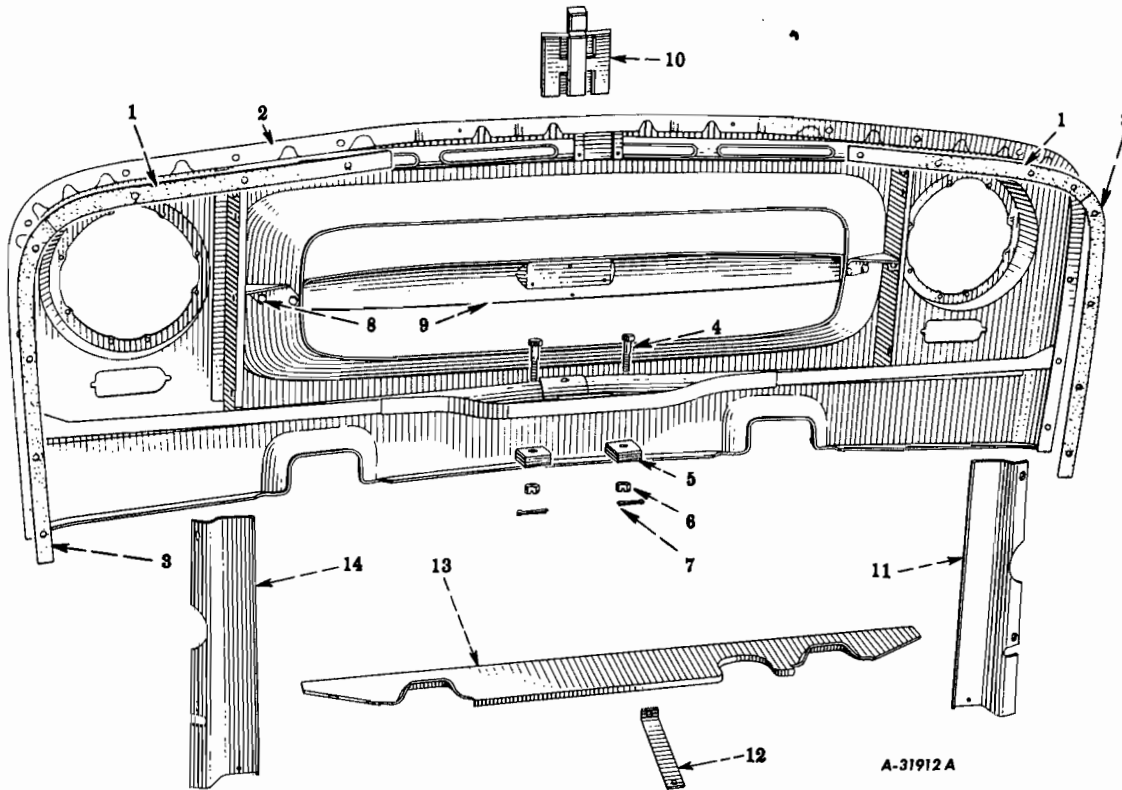


FIG. 09-1 - FRONT GRILLE AND MOUNTING
(R-100, R-110, R-120, R-130 Series)

KEY	DESCRIPTION	NO. REQ'D	I H PART NUMBER
1	SEAL	2	76 059 R1
2	GRILLE	1	113 894 R92
3	SEAL	2	76 058 R1
4	BOLT, HEX-HD., 1/2NF x 1-1/2"	2	648 584 R1
5	PAD	2	67 534 H
6	NUT, HEX., 1/2", SLT.	2	119 254
7	PIN, 3/32 x 1-1/4"	2	103 375
8	BOLT, HEX-HD., 5/16NF x 1/2", w/WASHER, ASM.	4	119 833
9	BAR, ASM.	1	113 713 R21
10	ORNAMENT	1	116 254 R1
	BOLT, w/LOCKWASHER, ASM.	2	228 322
11	SHIELD	1	118 090 R1
12	BRACE	1	113 873 R1
	SCREW, RD-HD., SLT., No. 10 x 1/2"	1	118 575
13	BAFFLE	1	118 176 R1
	SCREW, RD-HD., TAP., No. 10 x 3/8"	4	12 177 R1
14	SHIELD	1	118 089 R1
EXPORT			
13	BAFFLE	1	118 177 R1

PRINTED IN UNITED STATES OF AMERICA

MT-97 CORR. NO. 1 TO
Rev. No. 2

GROUP 09 - FRONT END SHEET METAL

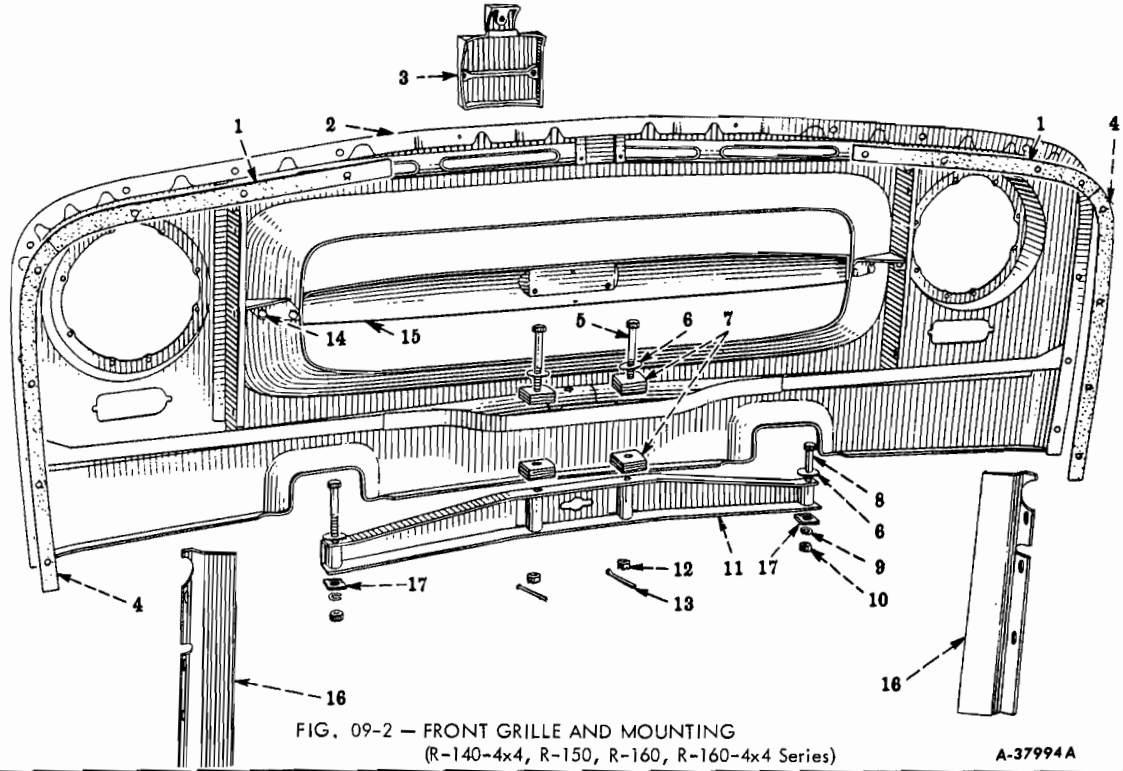


FIG. 09-2 - FRONT GRILLE AND MOUNTING
(R-140-4x4, R-150, R-160, R-160-4x4 Series)

A-37994A

KEY	DESCRIPTION	NO. REQ'D	I H PART NUMBER
1	SEAL	2	76 059 R1
2	GRILLE, ASM. R-150, R-160 SERIES	1	113 895 R92
	R-140 - 4 x 4, R-160 - 4 x 4 SERIES	1	127 027 R91
3	ORNAMENT	1	116 254 R1
4	SEAL	2	76 058 R1
5	BOLT, HEX-HD., 1/2NF x 4-1/2"	2	115 874 H
6	WASHER, FL., 1/2"	4	137 277 R1
7	PAD	4	67 534 H
8	BOLT, HEX-HD., 1/2NF x 2-3/4"	2	182 785
9	WASHER, LK., 1/2", MED.	2	103 323
10	NUT, HEX., 1/2NF	2	103 028
11	CROSSMEMBER	1	77 205 R21
12	NUT, HEX., SLT., 1/2NF	2	109 888
13	PIN, COTTER, 3/32 x 1-1/8"	2	103 375
14	BOLT, HEX-HD., 5/16NF x 1/2", w/WASHER, ASM.	4	191 833
15	BAR	1	113 713 R21
16	BAFFLE		
	LT.	1	118 091 R1
	RT.	1	118 092 R1
	SCREW, RD-HD., SET, No. 10 x 3/8"	6	12 177 R1
17	SPACER, CROSSMEMBER (w/FRAME REINF.)	2	79 374 R1

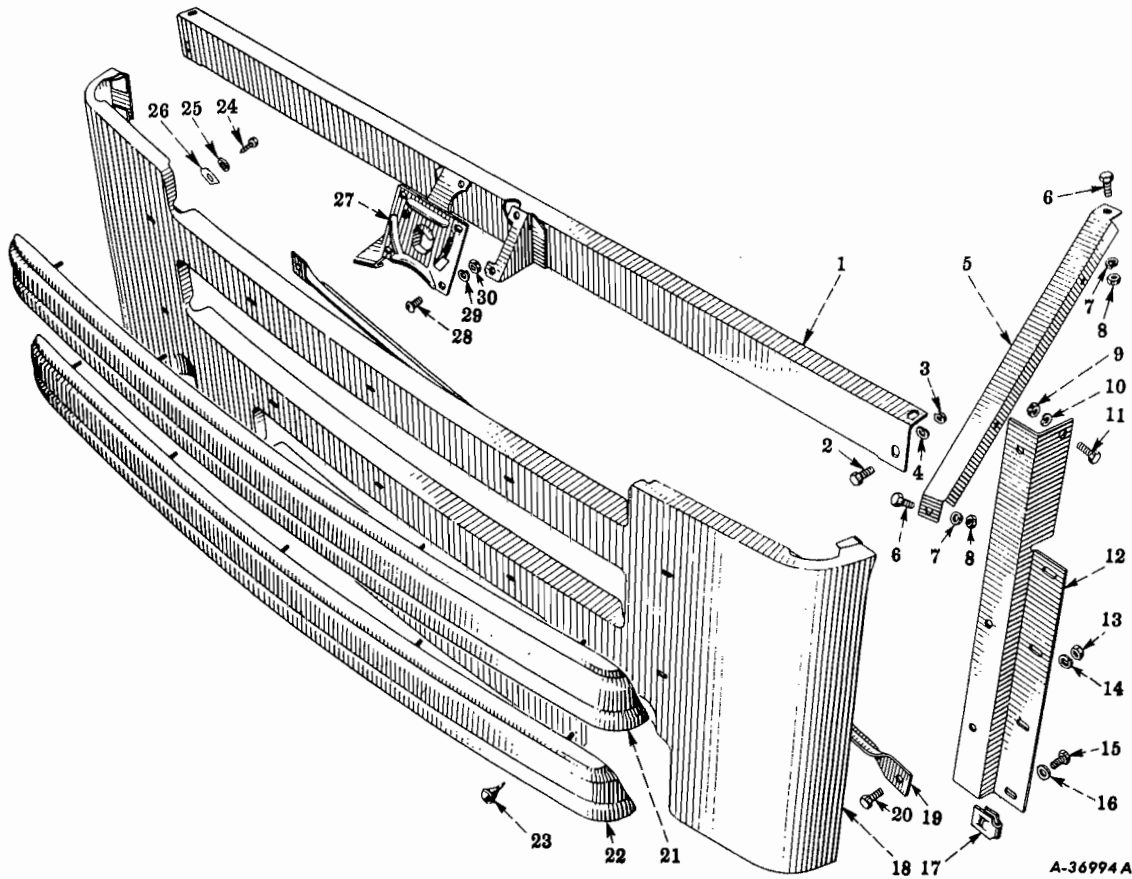


FIG. 09-3 - FRONT GRILLE PANEL AND MOUNTING
(RC-160 Series)

KEY	DESCRIPTION	NO. REQ'D	I H PART NUMBER
1	SILL	1	92 079 R11
2	BOLT, HEX-HD., 5/16NF x 5/8"	4	182 685
3	NUT, HEX., 5/16NF	4	103 025
4	WASHER, LK., 5/16", MED.	4	103 320
5	BRACE		
	LT.	1	92 237 R1
	RT.	1	92 238 R1
6	BOLT, HEX-HD., 5/16NF x 5/8"	4	182 685
7	WASHER, LK., 5/16", MED.	4	103 320
8	NUT, HEX., 5/16NF	4	103 025
9	NUT, HEX., 5/16NF	2	103 025
10	WASHER, LK., 5/16", MED.	2	103 320
11	BOLT, HEX-HD., 5/16NF x 5/8"	2	182 685
12	SUPPORT		
	LT.	1	92 081 R1
	RT.	1	92 082 R2

PRINTED IN UNITED STATES OF AMERICA

MT-97 Rev. No. 2, 7/56

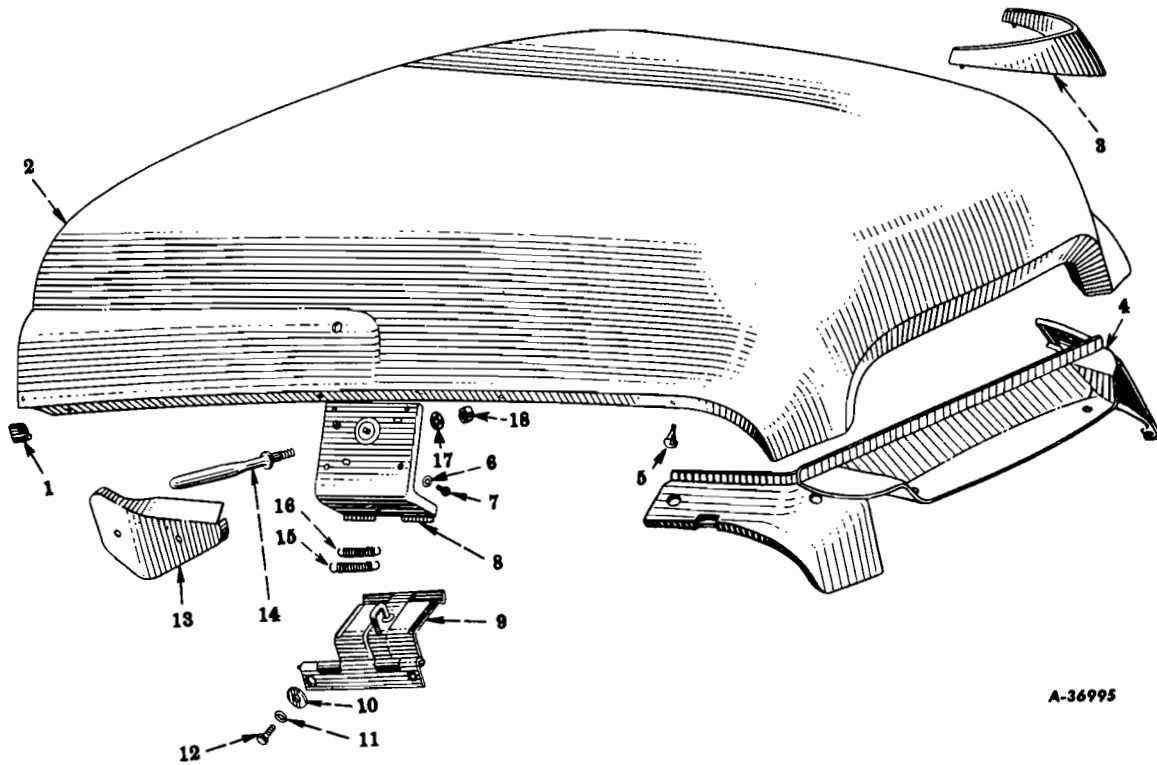
GROUP 09 – FRONT END SHEET METAL



KEY	DESCRIPTION	NO. REQ'D	I H PART NUMBER
FIG. 09-3 – FRONT GRILLE PANEL AND MOUNTING - Continued			
13	NUT, HEX., 5/16NF	2	103 025
14	WASHER, LK., 5/16", MED.	2	103 320
15	BOLT, HEX-HD., 5/16NC x 5/8"	8	96 319 H
16	WASHER, FL., 5/16"	8	118 774
17	NUT, SPEED	8	86 596 R1
18	PANEL, ASM.		
	w/o MOULDING	1	87 863 R11
	w/MOULING, w/o FRONT TOW HOOKS	1	89 910 R11
	w/MOULING, w/FRONT TOW HOOKS, CODE 0114	1	93 615 R91
19	STRAINER	1	89 571 R1
20	BOLT, HEX-HD., 5/16NF x 5/8"	2	182 685
21	MOULDING	1	83 745 R91
22	MOULDING		
	w/o FRONT TOW HOOKS	1	83 745 R91
	w/FRONT TOW HOOKS, CODE 0114	1	93 590 R91
23	BUMPER (w/FRONT TOW HOOKS, CODE 0114)	2	76 652 R1
24	SCREW, HEX-HD. TAPP. NO. 14 x 1"	10	179 377
25	WASHER, FL. NO. 14, 1/4 x 9/32"	10	103 339
26	NUT, SPEED, NO. 14A	10	130 345 R1
27	CATCH, ASM.	1	89 179 R91
	SPRING	1	90 263 R1
28	BOLT, RD-HD., SLT., 1/4NF x 1/2"	4	422 599
29	WASHER, LK., 1/4", MED.	4	103 319
30	NUT, HEX., 1/4NF	4	103 024

MT-97

GROUP 09 – FRONT END SHEET METAL



A-36995

FIG. 09-4 — HOOD ASSEMBLY
(R-100, R-110, R-120, R-130, R-140-4x4, R-150, R-160, R-160-4x4 Series)

KEY	DESCRIPTION	NO. REQ'D	I H PART NUMBER
1	BUMPER	2	79 363 R91
	RIVET, SPLIT, 9/64 x 3/8"	2	148 061
2	HOOD, ASM.	1	116 710 R91
3	ORNAMENT	1	118 028 R91
	SCREW, RD-HD., 10NC x 3/8" w/LOCKWASHER, ASM.	3	228 322
	WASHER, FL., No. 10	3	103 338
	NUT, HEX., No. 10	3	112 432
4	GUSSET	1	113 924 R91
	BAFFLE, R-140 - 4 x 4, R-160 - 4 x 4 SERIES	1	117 634 R1
	SCREW, RD-HD., SLT., TAP., No. 10 x 1/2"	3	118 575
5	BUMPER	10	76 652 R1
6	WASHER, LK., 1/4"	8	103 319
7	BOLT, HEX-HD., 1/4 x 1/2"	8	182 647
8	LATCH, ASM.		
	LT.	1	113 928 R92
	RT.	1	113 929 R92
9	HINGE, ASM.	1	113 898 R92
10	WASHER, FL., 3/8"	4	118 775
11	WASHER, LK., 3/8", MED.	4	103 321
12	BOLT, HEX-HD., 3/8NF x 3/4"	4	182 716

PRINTED IN UNITED STATES OF AMERICA

MT-97 Rev. No. 2, 7/56

GROUP 09 - FRONT END SHEET METAL

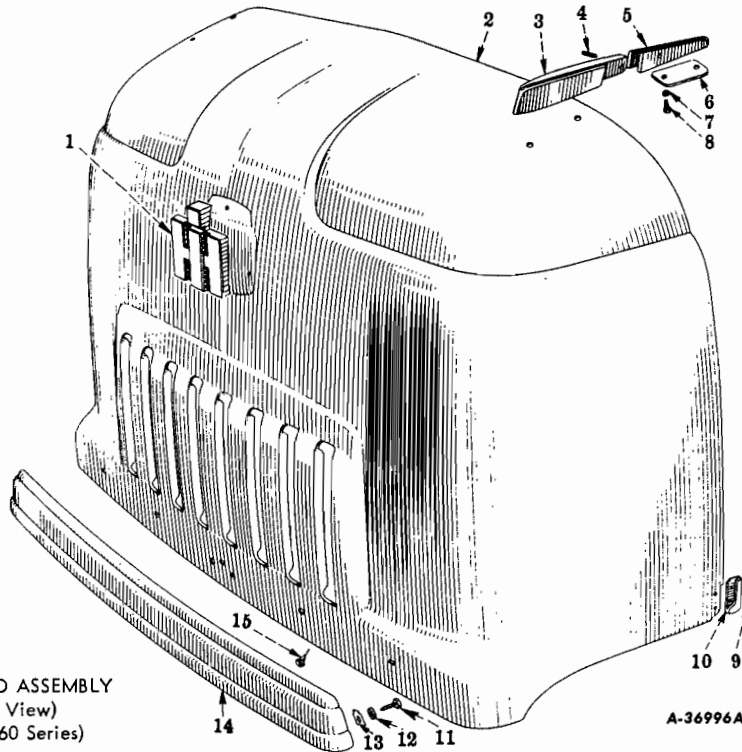


FIG. 09-5 - HOOD ASSEMBLY
(Front View)
(RC-160 Series)

KEY	DESCRIPTION	NO. REQ'D	I H PART NUMBER
1	ORNAMENT SCREW, RD-HD., SLT., No. 8 x 3/8", w/WASHER, ASM.	1	116 254 R1
		3	228 322
2	HOOD, ASM.	1	87 488 R21
3	HINGE LT. RT.	1	89 471 R1
		1	89 472 R1
4	PIN	2	89 473 R1
5	HINGE LT. RT.	1	89 469 R1
		1	89 470 R1
6	PLATE	2	89 036 R1
7	WASHER, LK., 5/16", MED.	8	103 320
8	BOLT, HEX-HD., 5/16NC x 5/8"	8	181 084
9	RIVET, SPLIT, 9/64 x 3/8"	4	148 061
10	BUMPER LT. RT.	1	89 021 R91
		1	89 022 R91
11	SCREW, HEX-HD. TAP. No. 14-10 x 3/4"	5	179 377
12	WASHER, FL. 1/4 x 9/32"	5	103 339
13	NUT, SPEED No. 14A	5	130 345 R1
14	MOULDING	1	83 745 R91
15	BUMPER	4	76 652 R1

PRINTED IN UNITED STATES OF AMERICA

MT-97

GROUP 09 – FRONT END SHEET METAL

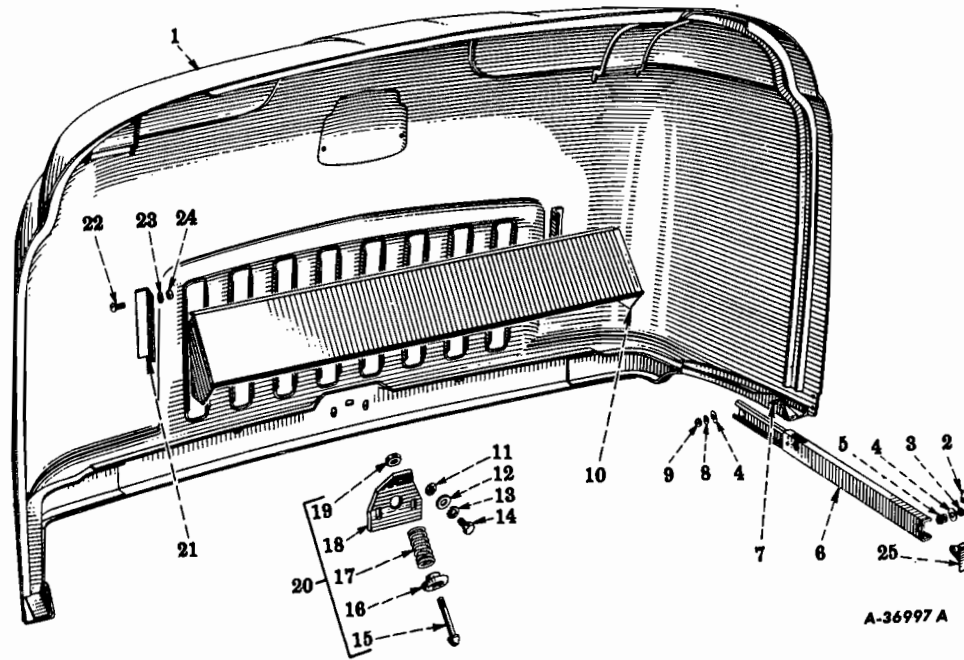


FIG. 09-6 – HOOD ASSEMBLY (Rear View)
(RC-160 Series)

KEY	DESCRIPTION	NO. REQ'D	I H PART NUMBER
1	HOOD, ASM.	1	87 488 R21
2	PIN, COTTER, 1/16 x 5/8"	2	137 142
3	NUT, HEX., SLT., 1/4NC	2	427 596
4	WASHER, FL., 1/4"	4	118 773
5	SPRING	2	53 019 R1
6	SUPPORT, ASM.	2	100 803 H
7	BOLT	2	100 776 H
8	WASHER, LK., 1/4", MED.	2	103 319
9	NUT, HEX., 1/4NF	2	103 024
10	BAFFLE	1	89 078 R1
11	NUT, HEX., 3/8NF	2	103 026
12	WASHER, FL., 13/32"	2	118 775
13	WASHER, LK., 3/8", MED.	2	103 321
14	BOLT, HEX-HD., 3/8NF x 7/8"	2	182 717
15	BOLT	1	102 265 H
16	RETAINER	1	102 267 H
17	SPRING	1	102 266 H
18	NOT SERVICED SEPARATELY		
19	NUT, HEX., 1/2NF	1	103 028
20	PLATE, w/BOLT, ASM.	1	87 807 R11
21	BRACKET	2	89 040 R1
22	SCREW, RD-HD., No. 12NF x 7/16"	4	422 582
23	WASHER, LK., No. 12, MED.	4	116 119
24	NUT, HEX., No. 12NF	4	13 010 R1
25	BRACKET	2	88 374 R11

PRINTED IN UNITED STATES OF AMERICA

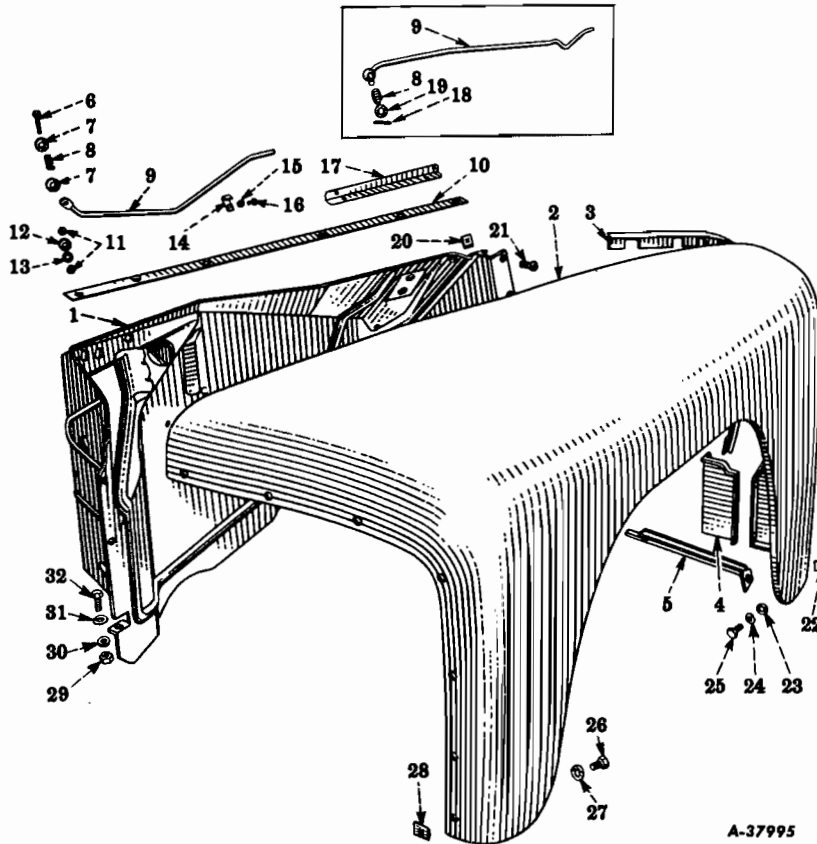


FIG. 09-7 - FRONT FENDER
(R-100, R-110, R-120, R-130, R-140-4x4, R-150, R-160, R-160-4x4 Series)

A-37995

KEY	DESCRIPTION	NO. REQ'D		I H PART NUMBER	
		LEFT	RIGHT	BELOW R-110-46882 R-120-9562 R-130-7263 R-150-2351 R-160-23160	R-100-501 R-110-46882 R-120-9562 R-130-7263 R-140-4 X 4-501 R-150-2351 R-160-23161 R-160-4 X 4-501 AND UP
1	PANEL, ASM.				
	R-100, R-110, R-120, R-130 SERIES	1		113 935 R11	113 935 R11
	R-150, R-160 SERIES (NOT FOR LPG ENGINES WITH 12V SYSTEM)	1		118 173 R91	118 173 R91
	R-140-4x4, R-160-4x4 SERIES				
	NOT FOR LPG ENGINES WITH 12V SYSTEM	1		127 045 R11	127 045 R11
	FOR LPG ENGINE WITH 12V SYSTEM	1		131 121 R91	131 121 R91
	R-100, R-110, R-120, R-130 SERIES		1	113 936 R11	113 936 R11
	R-150, R-160 SERIES		1	118 174 R91	118 174 R91
	R-140-4x4, R-160-4x4 SERIES		1	127 046 R11	127 046 R11
2	FENDER, ASM.				
	R-100, R-110, R-120, R-130 SERIES				
	LT.	1		76 939 R21	76 939 R21
	RT.		1	76 940 R21	76 940 R21
	R-140-4x4, R-160-4x4 SERIES				
	LT.	1		89 992 R11	89 992 R11
	RT.		1	89 993 R11	89 993 R11

MT-97 Rev. No. 2, 7/56

GROUP 09 - FRONT END SHEET METAL



KEY	DESCRIPTION	NO. REQ'D		I H PART NUMBER	
		LEFT	RIGHT	BELOW R-110-46882 R-120-9562 R-130-7263 R-150-2351 R-160-23160	R-100-501 R-110-46882 R-120-9562 R-130-7263 R-140-4 X 4-501 R-150-2351 R-160-23160 R-160-4 X 4-501 AND UP

FIG. 09-7 - FRONT FENDER - Continued

2	FENDER, ASM. (CONT'D)				
	R-150				
	w/17" WHEELS				
	LT.	1		89 992 R11	89 992 R11
	RT.		1	89 993 R11	89 993 R11
	w/20" WHEELS				
	LT.	1		76 873 R21	76 873 R21
	RT.		1	76 874 R21	76 874 R21
	R-160 SERIES				
	LT.	1		76 873 R21	76 873 R21
	RT.		1	76 874 R21	76 874 R21
3	SEAL	1	1	996 202 R1	996 202 R1
	RIVET	8	8	104 449	104 449
4	EXTENSION				
	R-100, R-110, R-120, R-130 SERIES	1		79 933 R1	79 933 R1
	R-150, R-160, R-140-4x4, R-160-4x4 SERIES (NOT FOR LPG ENG. WITH 12 V SYSTEM)	1		79 931 R2	79 931 R2
	R-140-4x4, R-150, R-160, R-160-4x4 (FOR LPG ENG. WITH 12 V SYSTEM)	1		131 122 R1	131 122 R1
	R-100, R-110, R-120, R-130 SERIES		1	79 934 R1	79 934 R1
	R-150, R-160, R-140-4x4, R-160-4x4 SERIES		1	79 932 R1	79 932 R1
5	STIFFENER				
	R-100, R-110, R-120, R-130 SERIES	1		76 910 R1	76 910 R1
	R-150, R-160, R-140-4x4, R-160-4x4 SERIES	1		76 912 R1	76 912 R1
	R-100, R-110, R-120, R-130 SERIES		1	76 911 R1	76 911 R1
	R-150, R-160, R-140-4x4, R-160-4x4 SERIES		1	76 913 R1	76 913 R1
6	BOLT, HEX-HD., 5/16NF x 1-3/4"	1	1		181 618
7	WASHER, FL., 5/16"	2	2		12 269 R1
8	SPRING	1	1	81 577 R1	81 577 R1
9	ROD				
	LT.	1	1	77 787 R31	134 014 R1
	RT.	1	1	77 788 R31	134 015 R1
10	SEAL	1	1	80 500 R1	80 500 R1
11	NUT, HEX-HD., 5/16NF	2	2		120 368
12	WASHER, FL., 5/16"	1	1		120 393
13	WASHER, LK., 5/16"	1	1		120 214
14	CLIP	1	1		77 594 R1
15	NUT, HEX., 1/4NF	1	1		103 024
16	SCREW, TR-HD., 1/4NF x 7/16"	1	1		12 463 R1
	WASHER, LK., 1/4", MED.	1	1		103 019
17	ANGLE				
	LT.	1		86 720 R1	86 720 R1
	RT.		1	86 721 R1	86 721 R1
18	PIN	1	1	137 164	
19	WASHER	1	1	12 169 R1	

PRINTED IN UNITED STATES OF AMERICA

MT-97 Rev. No. 2, 7/56

GROUP 09 - FRONT END SHEET METAL



KEY	DESCRIPTION	NO. REQ'D		I H PART NUMBER	
		LEFT	RIGHT	BELOW R-110-46882 R-120-9562 R-130-7263 R-150-2351 R-160-23160	R-100-501 R-110-46882 R-120-9562 R-130-7263 R-140.4 X 4.501 R-150-2351 R-160-23160 R-160.4 X 4.501 AND UP

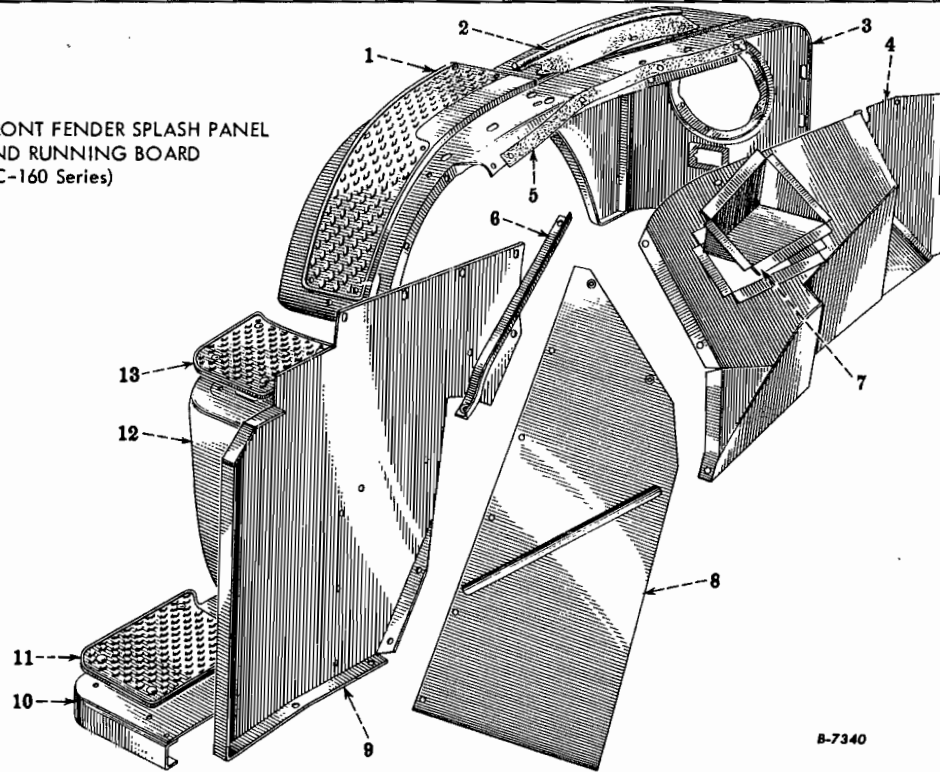
FIG. 09-7 - FRONT FENDER - Continued

20	NUT, SPEED	6	6	92 068 RI	92 068 RI
21	SCREW, FL-PH-HD., 1/4NC x 5/8"	6	6	123 670 RI	123 670 RI
22	NUT, SPEED, 5/16"	6	6	74 202 RI	74 202 RI
23	WASHER, FL., 5/16"	7	7	118 774	118 774
24	WASHER, LK., 5/16"	2	2	103 320	103 320
25	BOLT, HEX-HD., 5/16NF x 3/4"	6	6	182 687	182 687
26	BOLT, HEX-HD., 5/16NC x 1"	6	6	91 034 RI	91 034 RI
27	WASHER, FL., 5/16"	6	6	118 774	118 774
28	NUT, SPEED, 5/16"				
	LT.	4	4	74 202 RI	74 202 RI
	RT.	2	2	99 013 H	99 013 H
29	NUT, HEX., 5/16NF	8	8	103 025	103 025
30	WASHER, FL., 5/16"	8	8	118 724	118 724
31	WASHER, LK., 5/16", MED.	8	8	103 320	103 320
32	BOLT, HEX-HD., 5/16NF x 5/8"	8	8	182 685	182 685
*	BAFFLE				
	R-140-4x4, R-160-4x4 SERIES	1		141 060 RI	141 060 RI
	R-140-4x4, R-160-4x4 SERIES		1	141 061 RI	141 061 RI
*	BRACKET				
	R-140-4x4, R-160-4x4 SERIES	1	1	89 991 RII	89 991 RII
*	RETAINER, HOODLOCK AND HINGE	2	2	117 084 RI	117 084 RI
*	PARTS NOT ILLUSTRATED				

PRINTED IN UNITED STATES OF AMERICA



FIG. 09-8 - FRONT FENDER SPLASH PANEL AND RUNNING BOARD (RC-160 Series)



B-7340

KEY	DESCRIPTION	NO. REQ'D		I H PART NUMBER
		LEFT	RIGHT	
1	PLATE			
	LT.	1		91 321 R9I
	RT.		1	91 322 R9I
	NUT, HEX., No. 10	12	12	103 088
	SCREW, OVAL-HD., No. 10NF x 5/8"	12	12	134 343
	WASHER, FINISH, No. 10	12	12	140 245
	WASHER, LK., No. 10	12	12	106 497
2	WALT			
	LT.	1		89 662 R9I
	RT.		1	89 663 R9I
3	FENDER			
	LT.	1		87 864 R3I
	RT.		1	87 865 R3I
	NUT, HEX., 5/16NF	14	14	103 025
	NUT, SPEED, 5/16"	8	8	74 202 R1
	BOLT, MOUNTING	8	8	96 319 H
	WASHER, FL., 5/16"	14	14	118 774
WASHER, LK., 5/16", MED.	14	14	103 320	
4	PANEL			
	LT.	1		92 075 R2I
	RT.		1	92 076 R1I
	BOLT, HEX-HD., 5/16NF x 1/2"	4	4	182 679
	5/16NF x 5/8"	4	4	182 685
WASHER, LK., 5/16", MED.	8	8	103 320	

PRINTED IN UNITED STATES OF AMERICA

MT-97

GROUP 09 – FRONT END SHEET METAL

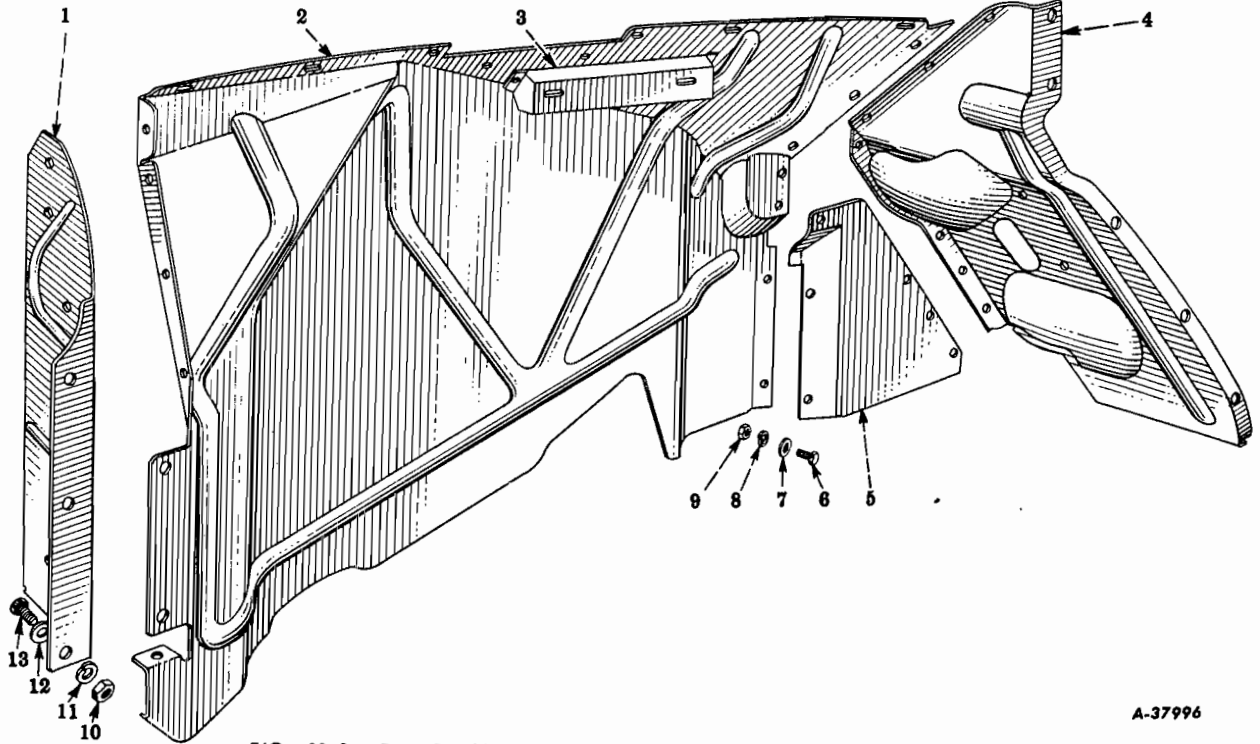


KEY	DESCRIPTION	NO. REQ'D		I H PART NUMBER
		LEFT	RIGHT	
FIG. 09-8 – FRONT FENDER SPLASH PANEL AND RUNNING BOARD - Continued				
5	SEAL	1	1	89 664 R2
6	BRACE			
	LT.	1		89 002 R11
	RT.		1	89 003 R11
	BOLT, HEX-HD., 5/16NF x 1/2"	4	4	182 679
	WASHER, LK., 5/16", MED.	4	4	103 320
7	COVER	1	1	92 072 R1
8	PANEL			
	LT.	1		88 803 R1
	RT.		1	88 804 R21
	BOLT, HEX-HD., 5/16NF x 5/8"	10	10	182 685
	NUT, HEX., 5/16NF	10	10	103 025
	WASHER, LK., 5/16", MED.	10	10	103 320
9	PANEL			
	LT.	1		89 582 R1
	RT.		1	89 583 R1
	BOLT, HEX-HD.			
	5/16NF x 5/8"	25	25	182 685
	5/16NF x 1/2"	8	8	182 689
	NUT, HEX., 5/16NF	25	25	103 025
	WASHER, FL., 5/16"	14	14	118 774
	WASHER, LK., 5/16", MED.	33	33	103 320
10	BOARD			
	LT.	1		91 979 R91
	RT.		1	91 980 R91
	BOLT, HEX-HD., 5/16NF x 5/8"	4	4	182 685
	NUT, HEX., 5/16NF	4	4	103 025
	WASHER, LK., 5/16", MED.	4	4	103 320
	CHANNEL	1	1	91 983 R1
11	PLATE			
	LT.	1		91 937 R91
	RT.		1	91 938 R91
	NUT, HEX., No. 10	8	8	110 633
	WASHER, LK., No. 10	8	8	106 497
12	PANEL			
	LT.	1		88 601 R11
	RT.		1	88 602 R11
	BOLT, HEX-HD., 5/16NF x 5/8"	18	18	182 685
	NUT, HEX., 5/16NF	18	18	103 025
	WASHER, LK., 5/16", MED.	18	18	103 320
13	PLATE			
	LT.	1		91 289 R91
	RT.		1	91 290 R91
	NUT, HEX., No. 10	8	8	110 633
	WASHER, LK., No. 10	8	8	106 497
⊛	SHIELD		1	119 444 R1

PRINTED IN UNITED STATES OF AMERICA

MT-97

GROUP 09 - FRONT END SHEET METAL



A-37996

FIG. 09-9 - FENDER SPLASH PANEL (Export)
(R-100, R-110, R-120, R-130, R-140-4x4, R-150, R-160, R-160-4x4)

KEY	DESCRIPTION	No. REQ'D		I H PART NUMBER
		R-100, R-110, R-120 R-130, R-150, R-160	R-140-4x4 R-160-4x4	
1	EXTENSION			
	LEFT			
	R-100, R-110, R-120, R-130, R-150, R-160	1		76 926 R2
	R-140-4x4, R-160-4x4		1	117 642 R1
	RIGHT			
	R-100, R-110, R-120, R-130, R-150, R-160	1		76 927 R21
	R-140-4x4, R-160-4x4		1	117 643 R1
2	PANEL			
	LEFT			
	R-100, R-110, R-120, R-130, R-150, R-160	1		113 937 R1
	R-140-4x4, R-160-4x4		1	127 047 R91
	RIGHT			
	R-100, R-110, R-120, R-130, R-150, R-160	1		113 938 R1
	R-140-4x4, R-160-4x4		1	127 048 R91
3	RETAINER	2	2	117 084 R1
	BOLT, HEX-HD., 5/16NF x 5/8"	8	8	182 685
	NUT, HEX., 5/16NF	8	8	103 025
	WASHER, FL., 5/16"	16	16	103 340
	WASHER, LK., 5/16", MED.	8	8	103 320
4	DEFLECTOR			
	LEFT	1	1	77 221 R2
	RIGHT	1	1	77 222 R3

PRINTED IN UNITED STATES OF AMERICA

MT-97

GROUP 09 - FRONT END SHEET METAL

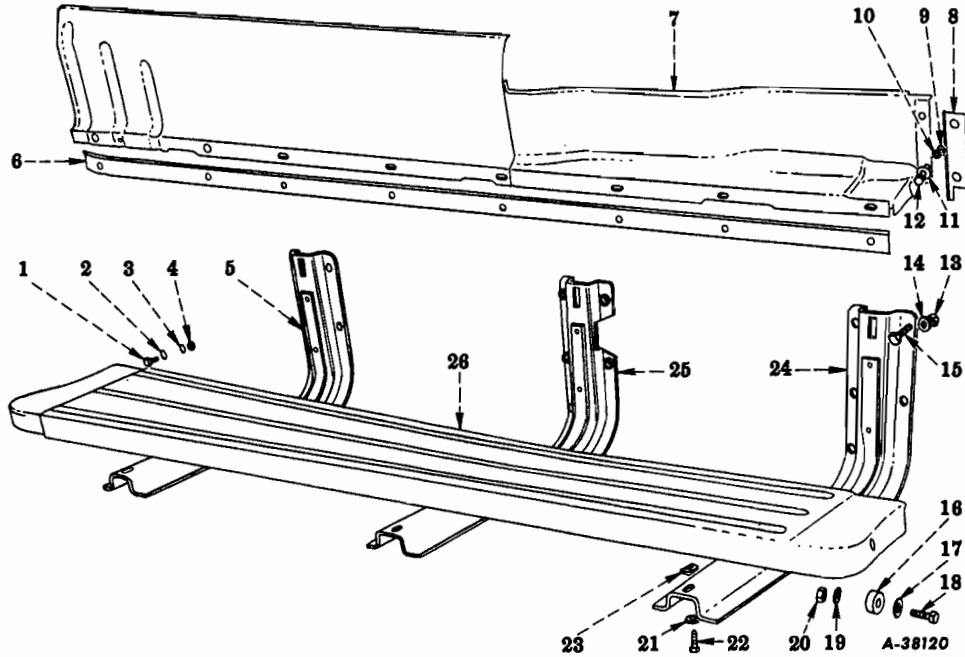


FIG. 09-10 - RUNNING BOARD (Long)
(R-100, R-110, R-120, R-130 Series)

KEY	DESCRIPTION	NO. REQ'D						I H PART NUMBER
		CODE						
		1603 1606	1610 1618	1616 1617 1619	1650	1651	1652	
1	BOLT, HEX-HD., 5/16NF x 3/4"	20	16	16	16	20	20	182 687
2	WASHER, FL., 5/16"	20	16	16	16	20	20	118 774
3	WASHER, L.K., 5/16", MED.	20	16	16	16	20	20	103 320
4	NUT, HEX., 5/16NF	20	16	16	16	20	20	103 025
5	SUPPORT, FRONT							
	LT. (CODES 1603, 1606, 1610, 1616, 1617, 1618, 1619, 1650, 1651, 1652)	1	1	1	1	1	1	87 343 R2L
	RT.							
	CODES 1603, 1606, 1610, 1618, 1650, 1651	1	1		1	1		87 344 R2I
	CODES 1616, 1617, 1619, 1652			1			1	87 343 R2I
6	WELT							
	115" W.B.	2	2	2	2			76 836 R1
	127" W.B.	2				2		76 835 R1
	134" W.B.	2					2	92 790 R1
7	BAFFLE							
	LT.							
	CODES 1610, 1616, 1617, 1618, 1619			1	1			76 847 R1I
	115" W.B.				1			76 843 R1I
	127" W.B.					1		76 851 R1I
	134" W.B.						1	92 750 R1I
	RT.							
	CODES 1610, 1616, 1617, 1618, 1619			1	1			76 848 R1I
	115" W.B.				1			76 844 R1I
	127" W.B.					1		76 852 R1I
	134" W.B.						1	92 751 R1I

MT-97 Rev. No. 2, 7/56

GROUP 09 – FRONT END SHEET METAL



KEY	DESCRIPTION	NO. REQ'D						I H PART NUMBER
		CODE						
		1603 1606	1610 1618	1616 1617 1619	1650	1651	1652	

FIG. 09-10 – RUNNING BOARD (Long) - Continued

8	WELT	2	2	2	2	2	2	85 486 R1
9	NUT, HEX., 5/16NF	4	4	4	4	4	4	103 025
10	WASHER, L.K., 5/16", MED.	4	4	4	4	4	4	103 320
11	WASHER, FL., 5/16"	8	8	8	8	8	8	118 774
12	BOLT, HEX-HD., 5/16NF x 5/8"	4	4	4	4	4	4	182 685
13	NUT, HEX., 3/8NF	24	24	24	24	24	24	103 026
14	WASHER, L.K., 3/8", MED.	24	24	24	24	24	24	103 321
15	BOLT, HEX-HD., 3/8NF x 1"	24	24	24	24	24	24	182 718
16	SPACER	2	2	2	2	2	2	76 833 R1
17	WASHER, FL., 3/8"	2	2	2	2	2	2	1 504 0
18	BOLT, HEX-HD., 3/8NF x 1"	2	2	2	2	2	2	182 718
19	WASHER, L.K., 3/8", MED.	2	2	2	2	2	2	103 321
20	NUT, HEX., 3/8NF	2	2	2	2	2	2	103 026
21	WASHER, FL., 5/16"	12	12	12	12	12	12	118 774
22	BOLT, HEX-HD., 5/16NC x 1"	12	12	12	12	12	12	220 065
23	NUT, SPEED, 5/16"	12	12	12	12	12	12	74 202 R1
24	SUPPORT	2	2	2	2	2	2	87 343 R21
25	SUPPORT	2	2	2	2	2	2	87 343 R21
26	BOARD							
	115" W.B.							
	LT.	1	1	1	1			76 845 R12
	RT.	1	1	1	1			76 846 R12
	127" W.B.							
	LT.	1				1		76 849 R12
	RT.	1				1		76 850 R12
	134" W.B.							
	LT.	1					1	92 767 R12
	RT.	1					1	92 768 R12
(*)	BUMPER, RUBBER, RUNNING BOARD BAFFLE	AR	AR	AR				72 652 R1
(*)	NOT SHOWN IN ILLUSTRATION							

MT-97

GROUP 09 – FRONT END SHEET METAL

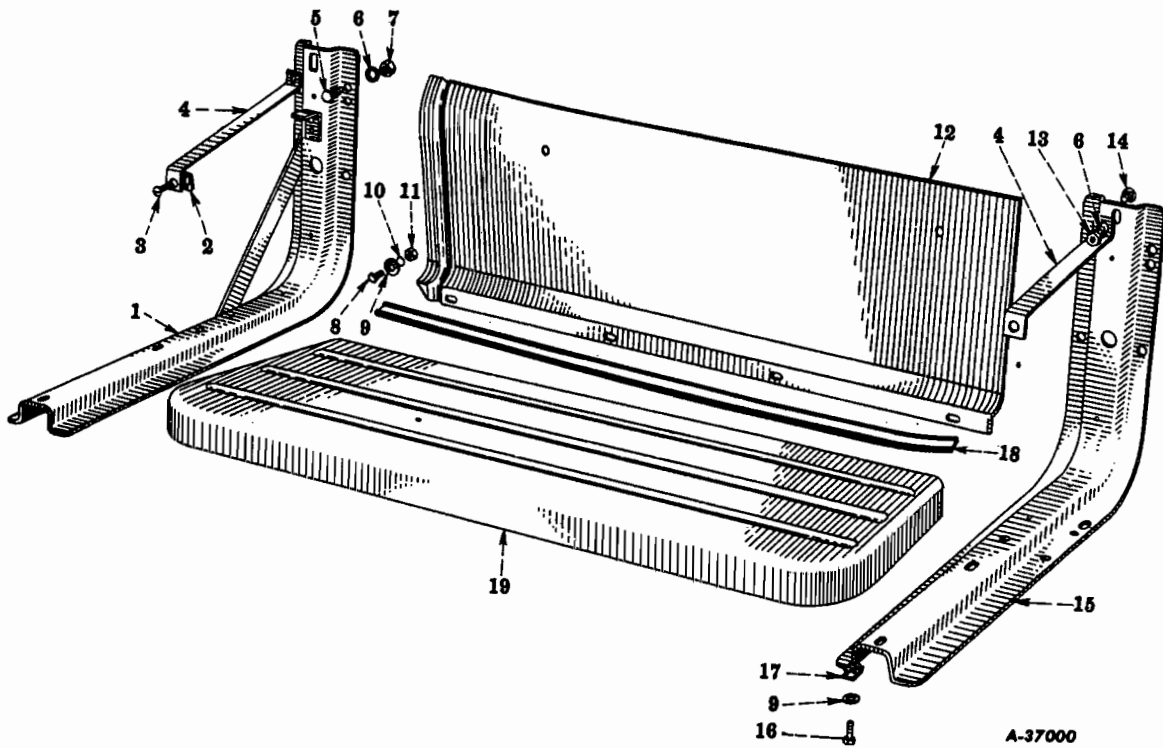


FIG. 09-11 – RUNNING BOARD, SHORT (For Cab Code 1603)
(R-100, R-110, R-120, R-130, R-140-4x4, R-150, R-160, R-160-4x4)

KEY	DESCRIPTION	NO. REQ'D			I H PART NUMBER
		R-100, R-110 R-120, R-130	R-140-4x4, R-150 R-160-4x4, R-160 GAS AND 6 VOLT PROPANE ENGINE	R-160-12 VOLT PROPANE ENGINES	
1	SUPPORT				
	LT.				
	R-100, R-110, R-120, R-130	1			87 343 R21
	R-140 - 4 x 4, R-150, R-160 - 4 x 4, R-160				
	GAS AND 6 VOLT ENGINE		1		72 894 R92
	R-160 12 VOLT PROPANE ENGINES			1	90 188 R21
	RT.				
	R-100, R-110, R-120, R-130	1			87 344 R21
	R-140 - 4 x 4, R-150, R-160 - 4 x 4, R-160				
	GAS AND 6 VOLT ENGINE		1		72 893 R22
R-160 12 VOLT PROPANE ENGINES			1	72 893 R22	
	LINING		2		72 896 R1
2	NUT, SPEED, 1/4"		4	2	79 993 R1
3	SCREW, TR-HD., 1/4NF x 3/8"		4		137 952
	BOLT, HEX-HD., 1/4NF x 1/2"			2	180 016
4	BRACE				
	R-140 - 4 x 4, R-150, R-160 - 4 x 4, R-160 GAS				
	AND 6 VOLT PROPANE ENGINE		2		105 059 R1
	R-160 12 VOLT PROPANE ENGINES			1	90 192 R1

PRINTED IN UNITED STATES OF AMERICA

MT-97

GROUP 09 – FRONT END SHEET METAL



KEY	DESCRIPTION	NO. REQ'D			I H PART NUMBER
		R-100, R-110 R-120, R-130	R-140-4x4, R-150 R-160-4x4, R-160 GAS AND 6 VOLT PROPANE ENGINE	R-160-12 VOLT PROPANE ENGINES	

FIG. 09-11 – RUNNING BOARD, SHORT (For Cab Code 1603) - Continued

5	BOLT, HEX-HD., 3/8NF x 1"	16	16	16	182 718
6	WASHER, LK., 3/8", MED.	16	16	16	103 321
7	NUT, HEX., 3/8NF	16	16	16	103 026
8	BOLT, HEX-HD., 5/16NF x 3/4"	8	8	8	182 687
9	WASHER, FL., 5/16"	16	16	16	103 340
10	WASHER, LK., 5/16", MED.	8	8	8	103 320
11	NUT, HEX., 5/16NF	8	8	8	103 025
12	BAFFLE				
	LT.				
	R-100, R-110, R-120, R-130	1			76 841 R2
	R-140 - 4 x 4, R-150, R-160 - 4 x 4, R-160 GAS AND 6 VOLT PROPANE ENGINE		1		79 937 R2
	R-160 12 VOLT PROPANE ENGINES			1	90 191 R11
	RT.				
	R-100, R-110, R-120, R-130	1			76 842 R2
	R-140 - 4 x 4, R-150, R-160 - 4 x 4, R-160 GAS AND 6 VOLT PROPANE ENGINE		1		79 938 R2
	R-160 12 VOLT PROPANE ENGINES			1	79 938 R2
	EXTENSION			1	90 189 R1
13	NUT, HEX., 3/8NC		4		220 066
14	BOLT, CARR., 3/8NC x 3/4"		4		12 662 R1
15	SUPPORT				
	LT.				
	R-100, R-110, R-120, R-130	1			87 343 R21
	R-140 - 4 x 4, R-150, R-160 - 4 x 4, R-160 GAS AND 6 VOLT PROPANE ENGINE		1		72 894 R92
	R-160 12 VOLT PROPANE ENGINES			1	90 188 R21
	RT.				
	R-100, R-110, R-120, R-130	1			87 344 R21
	R-140 - 4 x 4, R-150, R-160 - 4 x 4, R-160 GAS AND 6 VOLT PROPANE ENGINE		1		72 893 R22
	R-160 12 VOLT PROPANE ENGINES			1	72 893 R22
	LINING		2		72 896 R1
16	BOLT, HEX-HD., 5/16NC x 1"	8	8	8	82 051 R1
17	NUT, SPEED, 5/16"	8	8	8	74 202 R1
18	WELT				
	R-100, R-110, R-120, R-130	2			76 837 R1
	R-140 - 4 x 4, R-150, R-160 - 4 x 4, R-160 GAS AND 6 VOLT PROPANE ENGINE		2		74 207 R1
	R-160 12 VOLT PROPANE ENGINES			2	74 207 R1

PRINTED IN UNITED STATES OF AMERICA

MT-97 Rev. No. 2, 7/56

GROUP 09 – FRONT END SHEET METAL



KEY	DESCRIPTION	NO. REQ'D			I H PART NUMBER
		R-100, R-110 R-120, R-130	R-140-4x4, R-150 R-160-4x4, R-160 GAS AND 6 VOLT PROPANE ENGINE	R-160-12 VOLT PROPANE ENGINES	

FIG. 09-11 – RUNNING BOARD, SHORT (For Cab Code 1603) - Continued

19	BOARD				
	LT.				
	R-100, R-110, R-120, R-130	1			76 855 R12
	R-140 - 4 x 4, R-150, R-160 - 4 x 4, R-160 GAS AND 6 VOLT PROPANE ENGINE		1		74 214 R11
	R-160 12 VOLT PROPANE ENGINES			1	74 214 R11
	RT.				
	R-100, R-110, R-120, R-130	1			76 856 R12
	R-140 - 4 x 4, R-150, R-160 - 4 x 4, R-160 GAS AND 6 VOLT PROPANE ENGINE		1		74 215 R11
	R-160 12 VOLT PROPANE ENGINES			1	74 215 R11
⊛	BUMPER, RUBBER, RUNNING BOARD BAFFLE	AR			76 652 R1
⊛	NOT SHOWN IN ILLUSTRATION				

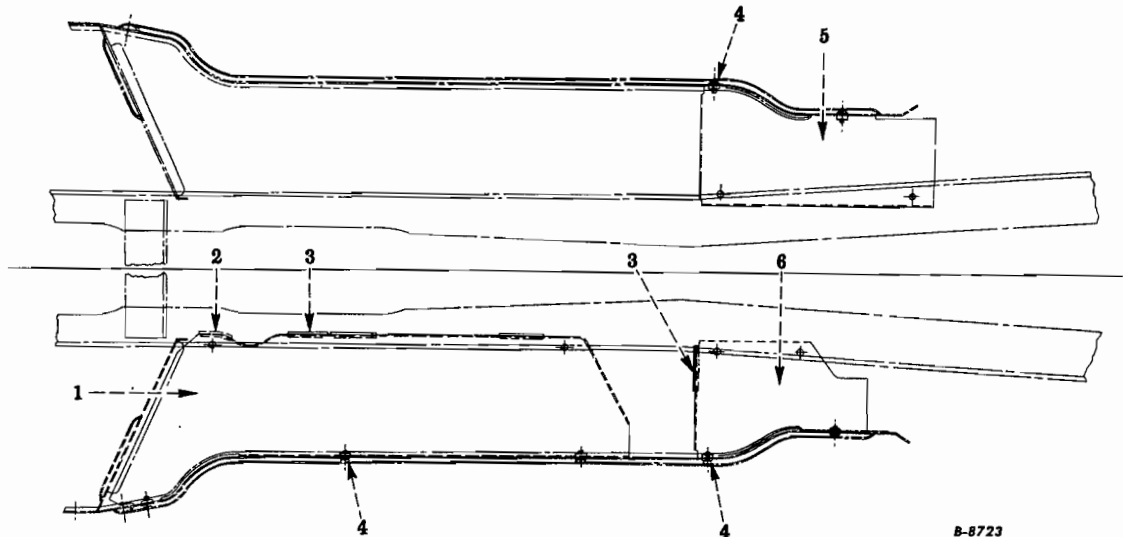


FIG. 09-12 – ENGINE DUST SHIELDS
(R-100, R-110, R-120, R-130)

KEY	DESCRIPTION	I H PART NUMBER
1	SHIELD, ASM.	109 311 R11
2	BUMPER, RUBBER	649 352 R1
3	BUMPER, RUBBER	649 353 R1
4	SCREW, PAN-HD., No. 10NF x 1/2"	436 916
	WASHER	
	FL., No. 10	103 338
	LK., No. 10	106 497
5	SHIELD, ASM.	109 310 R11
6	SHIELD, ASM.	109 309 R11

PRINTED IN UNITED STATES OF AMERICA

MT-97

GROUP 09 - FRONT END SHEET METAL

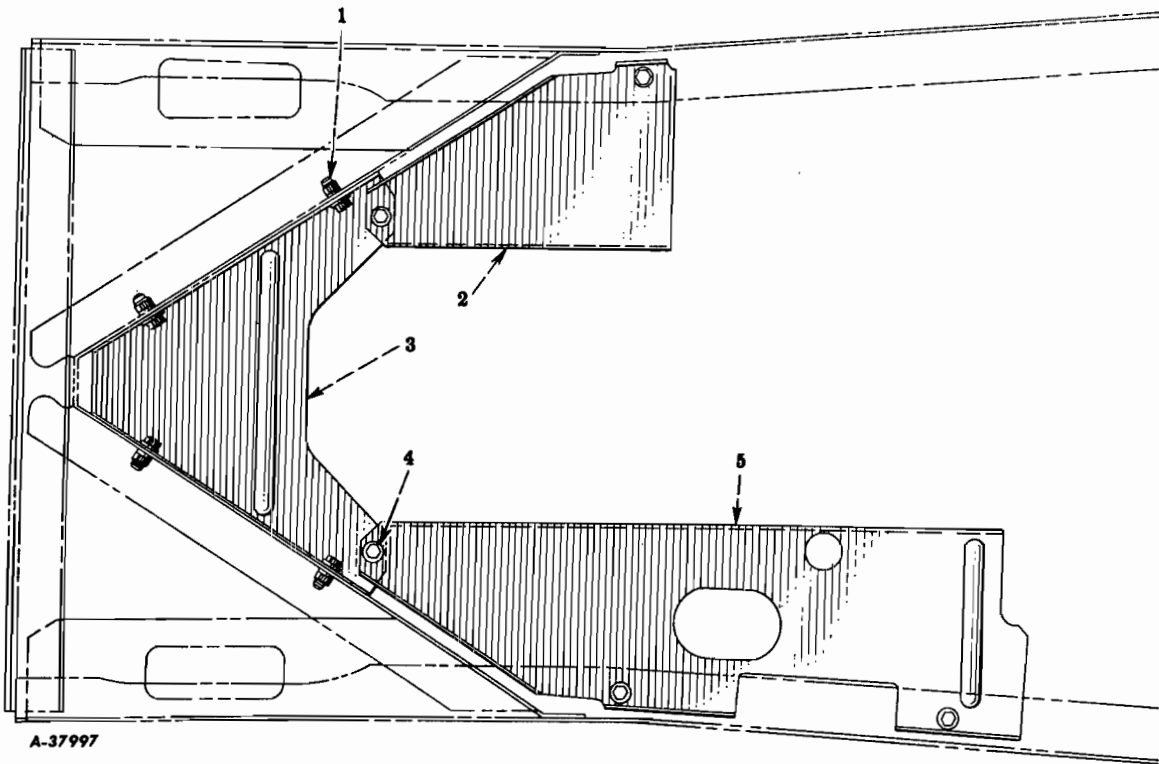
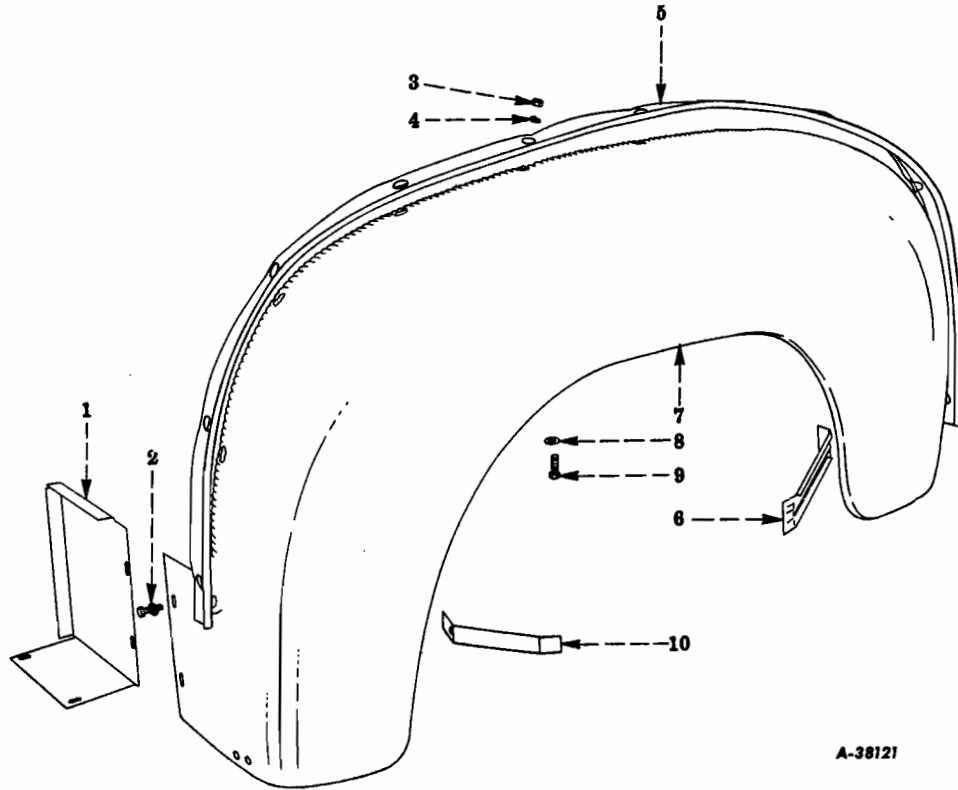


FIG. 09-13 - ENGINE DUST SHIELDS (Standard For Export And Code 0901 For Domestic)
(R-100, R-110, R-120, R-130, R-150, R-160, RC-160 Series)

KEY	DESCRIPTION	NO. REQ'D		I H PART NUMBER
		R-100, R-110 R-120, R-130	R-150, R-160 RC-160	
1	BOLT, HEX-HD., 1/4NF x 5/8"	4		182 650
	NUT, HEX., 1/4NF	4		103 024
	WASHER			
	FL., 1/4"	4		103 319
	LK., 1/4", MED.	4		103 339
2	SHIELD			
	R-100, R-110, R-120, R-130 R-150, R-160, RC-160	1	1	72 088 R1 73 220 R1
3	SHIELD	1		72 087 R1
4	BOLT, HEX-HD., 1/4NF x 3/4"	5	6	182 654
	NUT, HEX., 1/4NF	5	6	103 024
	WASHER			
	FL., 1/4"	5	6	103 319
	LK., 1/4", MED.	5	6	103 339
5	SHIELD			
	R-100, R-110, R-120, R-130 R-150, R-160, RC-160	1	1	72 103 R1 73 221 R1

PRINTED IN UNITED STATES OF AMERICA



A-38121

FIG. 09-14 – REAR FENDER
(R-100, R-110, R-120, R-130, R-150, R-160 Series)

KEY	DESCRIPTION	NO. REQ'D								I H PART NUMBER
		1610 1618	1616 1617 1619	1650	1651	1652	1653	1679	1680	
1	SHIELD									
	LEFT	1	1							90 400 RI
	RIGHT	1	1							90 401 RI
2	BOLT, HEX-HD., 5/16 x 1"	4	4							102 244 H
	NUT, SPEED, 5/16"	4	4							74 202 RI
	WASHER, FL., 5/16"	4	4							118 744
3	NUT, HEX., 5/16NC	22	22	16	16	16	16			220 065
4	WASHER, LK., 5/16"	22	22	16	16	16	16			126 256 RI
5	WELT	2	2							84 943 R2
6	BRACE									
	CODES 1610, 1616	2	2							95 266 RI
	CODES 1650, 1651, 1652			2	2	2				95 265 RI
	R-110, R-120 SERIES									
	LT.							1		98 917 H
	RT.							1		98 916 H
	R-130 SERIES									
	LT.							1	1	98 945 H
	RT.							1	1	98 944 H
	R-140-4x4 SERIES									
	LT.							1		129 173 RI
	RT.							1		129 174 RI

MT-97

GROUP 09 - FRONT END SHEET METAL



KEY	DESCRIPTION	NO. REQ'D							I H PART NUMBER	
		1610 1618	1616 1617 1619	1650	1651	1652	1653	1679		1680
FIG. 09-14 - REAR FENDER - Continued										
6	BRACE (CONT'D)									
	BOLT, HEX-HD., 3/8NC x 1"					4	2		118 112	
	NUT, HEX-HD., 3/8NC					4	2		220 066	
	WASHER, FL., 3/8"					4	2		103 321	
	WASHER, LK., 3/8"					4	2		103 321	
	BOLT, STEP, 1/4NC x 1/2"							4	4	12 200 R1
	NUT, HEX., 1/4NC							4	4	220 064
	WASHER, FL., 1/4"							4	4	103 339
	WASHER, LK., 1/4", MED.							4	4	103 319
7	FENDER									
	CODES 1610, 1616									
	LT.	1	1						85 040 R12	
	RT.	1	1						85 041 R12	
	CODES 1650, 1651, 1652									
	LT.									
	UNDERSLUNG TIRE CARRIER			1	1	1			77 333 R12	
	SIDEMOUNTED TIRE CARRIER			1	1	1			79 133 R12	
	RT.			1	1	1			77 334 R12	
	R-110, R-120 SERIES									
	LT.							1	102 686 HX	
	RT.							1	102 685 HX	
	R-130, R-140-4x4 SERIES (DUAL TIRES)									
	LT.					1	1		93 057 R92	
	RT.					1	1		93 058 R92	
	R-130 SERIES (SINGLE TIRES)									
	LT.							1	102 688 HY	
	RT.							1	102 687 HY	
	R-130, R-150, R-160 SERIES (DUAL TIRES)									
	LT.							1	72 372 H	
	RT.							1	72 371 H	
	R-150, R-160 SERIES									
	DUAL TIRES									
	LT.							1	72 372 H	
	RT.							1	72 371 H	
	SINGLE TIRES									
	LT.							1	72 442 HX	
	RT.							1	72 442 HX	
8	WASHER, FL., 5/16"	22	22	16	16	16	16		50 326 H	
9	BOLT, HEX-HD., 5/16NC x 1"	22	22	16	16	16	16		12 173 R1	
10	BRACE									
	CODES 1610, 1616	2	2						95 460 R1	
	CODES 1650, 1651, 1652			2	2	2			95 264 R1	
	R-130, R-140-4x4 SERIES (DUAL TIRES)									
	LT.					1	1		93 174 R1	
	RT.					1	1		93 175 R1	
⊛	PLUG (R-130, R-140-4x4 SERIES)					2	2		142 146	
⊛	NOT ILLUSTRATED									

PRINTED IN UNITED STATES OF AMERICA