



GROUP 15 – FUEL TANKS AND PIPING

FUEL TANKS—GASOLINE

- FIG. 15-1 UNDER CAB SKIRT
(R-100, R-110, R-120, R-130 SERIES) (15 GALLON, CODE 1530)
(R-140-4x4, R-150, R-160, R-160-4x4, RC-160 SERIES) (21 GALLON, CODE 1501)
- FIG. 15-2 UNDER CAB SKIRT (18-1/2 GALLON, CODE 1501)
(RC-160 SERIES)
- FIG. 15-3 SINGLE, LEFT SIDE MOUNTED (31 GALLON, CODE 1507)
(R-160 SERIES)
- FIG. 15-4 SINGLE RIGHT SIDE MOUNTED (30 GALLON, CODE 1510)
(R-153 WITH 154, 172" W.B.)
(R-160 SERIES WITH 172, 190, 208" W.B.)
- FIG. 15-5 AUXILIARY, SINGLE AND DUAL SIDE MOUNTED
(R-140-4x4 SERIES - SINGLE, 20 GALLON, CODE 1502 WITH 130" W.B.)
(R-140-4x4 SERIES - SINGLE, 31 GALLON, CODE 1503 WITH 142" W.B.)
(R-140-4x4 SERIES - DUAL, 20 GALLON, CODE 1504 WITH 130" W.B.)
(R-140-4x4 SERIES - DUAL, 31 GALLON, CODE 1505 WITH 142" W.B.)
(R-160, R-164, R-165 - SINGLE, 20 GALLON, CODE 1502 WITH 130" W.B., WITH CAB CODE 1603)
(R-160, R-164, R-165 - SINGLE, 31 GALLON, CODE 1503 WITH 142, 154, 172, 190, 208" W.B., WITH CAB CODE 1603)
(R-160, R-164, R-165 - DUAL, 31 GALLON, CODE 1505 WITH 142, 154, 172" W.B., WITH CAB CODE 1603)
(R-160-4x4 SERIES - SINGLE, 31 GALLON, CODE 1503)
(RC-160 SERIES - SINGLE, 31 GALLON, CODE 1503 WITH 130, 142, 154, 172" W.B.)

FUEL TANKS—LPG

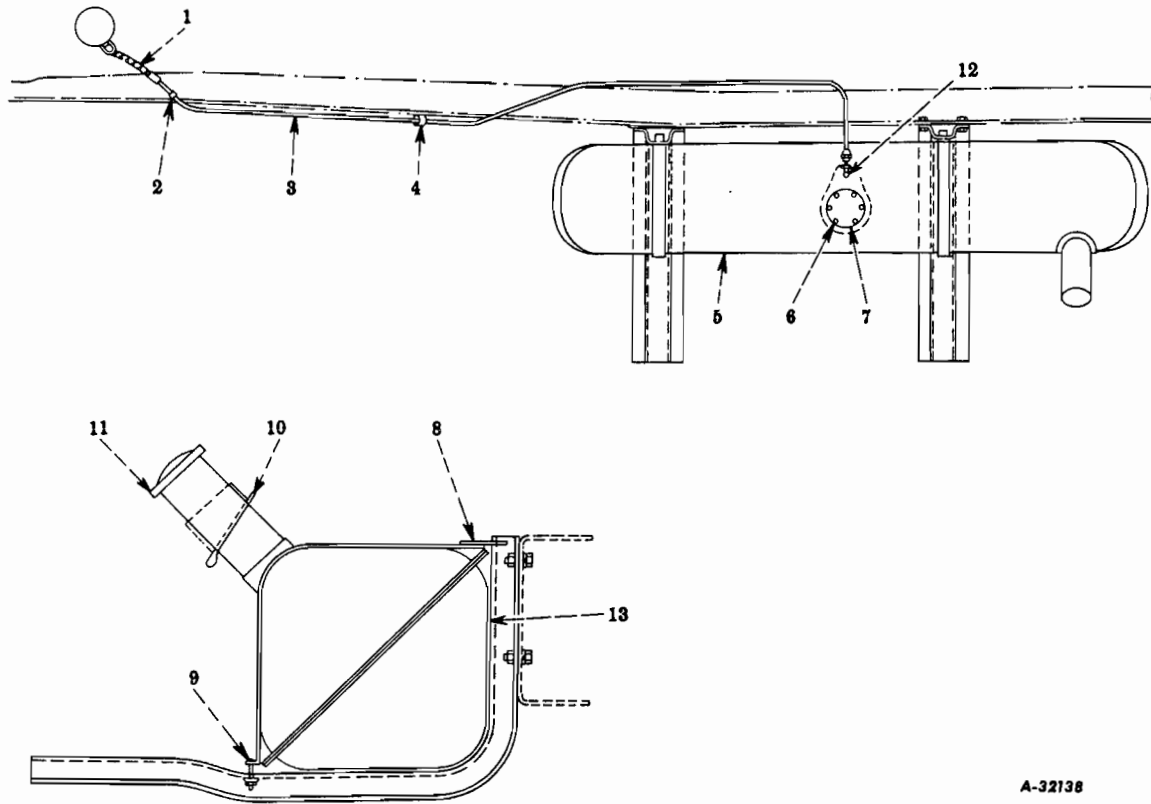
- FIG. 15-6 SINGLE LEFT SIDE MOUNTED (43 GALLON, CODE 1520; 62 GALLON, CODE 1521)
(R-160 SERIES)
- FIG. 15-7 DUAL, SIDE MOUNTED (43 GALLON, CODE 1583; 62 GALLON, CODE 1582)
(R-160 SERIES)

FUEL LINE SHUT-OFF COCK

- FIG. 15-8 GASOLINE TANKS
(R-140-4x4, R-160-4x4, RC-160 SERIES)
(R-160, R-164, R-165)

MT-97

GROUP 15 - FUEL TANKS AND PIPING



A-32138

FIG. 15-1 - FUEL TANK (Gasoline) (Under Cab Skirt)
 (R-100, R-110, R-120, R-130 Series) (15 Gallon, Code 1530)
 (R-140-4x4, R-150, R-160, R-160-4x4 Series) (21 Gallon, Code 1501)

KEY	DESCRIPTION	CODE		I H PART NUMBER
		1501	1530	
1	HOSE	X	X	73 098 R91
2	CLIP	X	X	137 193
	LOOM	X	X	44 197 H
	BOLT, HEX-HD., 1/4NF x 1/2"	X	X	182 647
	NUT, HEX., 1/4NF	X	X	103 024
	WASHER, LK., 1/4", MED.	X	X	103 319
	EXTENSION	X		122 665 H
	BOLT, HEX-HD., 1/4NF x 5/8"	X	X	182 650
	EXTENSION		X	88 176 H
3	PIPE, 5/16"	X	X	995 062 R1
	NUT, INVERTED FLARE, 5/16"	X	X	140 381
4	CLIP	X	X	137 193
	BOLT, HEX-HD., 1/4NF x 5/8"	X	X	182 650
	NUT, HEX., 1/4NF	X	X	103 024
	WASHER, LK., 1/4", MED.	X	X	103 319
	LOOM	X	X	44 197 H
5	TANK, ASM.			
	FOR CAB CODES 1601, 1602, 1603, 1606		X	72 072 R92
	FOR BODY CODES 1610, 1616, 1617, 1618, 1619		X	76 537 R92

PRINTED IN UNITED STATES OF AMERICA

MT-97

GROUP 15 - FUEL TANKS AND PIPING



KEY	DESCRIPTION	CODE		I H PART NUMBER
		1501	1530	
FIG. 15-1 - FUEL TANK (Gasoline) (Under Cab Skirt) - Continued				
6	SCREW, FIL-HD., No. 10NF x 3/8"	X	X	132 105
7	GAUGE, ASM.		X	63 483 HA
	GASKET	X	X	63 474 H
	SCREW, RD-HD., No. 8NC x 1/4"	X	X	132 750
	WASHER, INT., LK., No. 8	X	X	138 166
8	STRAP		X	104 011 R11
9	BOLT, CARR., 3/8NC x 1-1/2"	X	X	104 010 R1
	NUT, HEX., 3/8NC	X	X	69 981 R1
10	GROMMET (FOR BODY CODES 1610, 1616, 1617, 1618, 1619)		X	89 547 R2
11	CAP, ASM.	X	X	126 368 R91
12	OUTLET	X	X	107 630 R91
	GASKET	X	X	65 161 H
13	LINING			
	CODE 1530		X	72 062 R1
	CODE 1501	X		72 896 R1
	RIVET, OVAL-HD., 9/64 x 1/4"	X	X	104 447
⊕	BOLT, HEX-HD., 1/2NF x 1/2" (DRAIN PLUG)	X	X	182 768
	GASKET	X	X	103 225 H
RIGHT HAND DRIVE				
2	BOLT, HEX-HD., 1/4NF x 1/2"	X	X	182 647
	NUT, HEX., 1/4NF	X	X	103 024
	WASHER, LK., 1/4", MED.	X	X	103 319
	CLIP	X	X	137 193
	LOOM	X	X	44 197 H
	EXTENSION	X	X	88 185 H
	BOLT, HEX-HD., 3/8NF x 1"	X	X	182 718
	NUT, HEX., 3/8NF	X	X	103 026
	WASHER, LK., 3/8", MED.	X	X	103 321

MT-97

GROUP 15 – FUEL TANKS AND PIPING

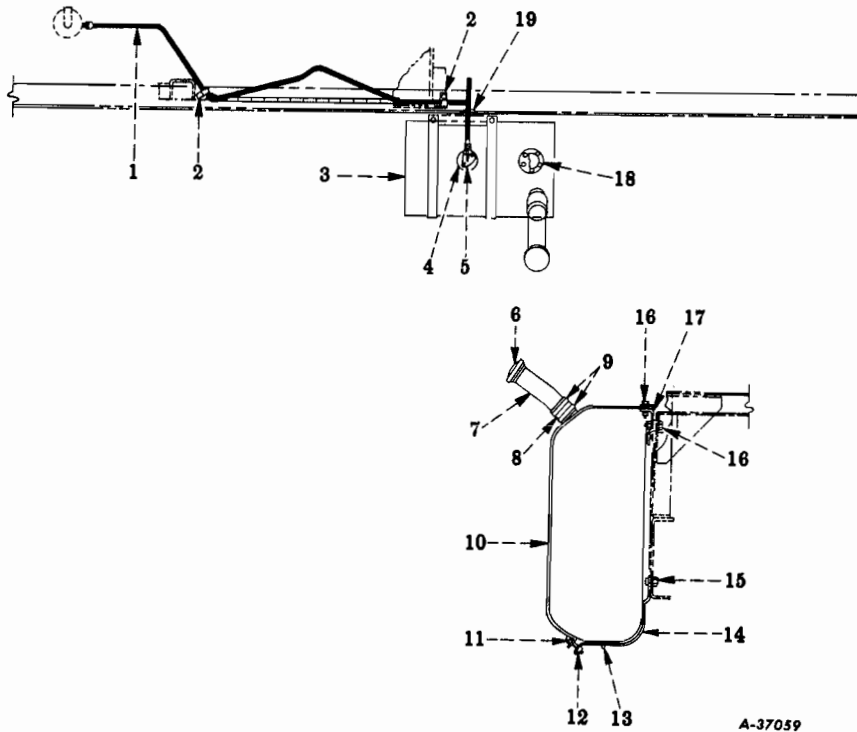


FIG. 15-2 — FUEL TANK (Gasoline) (Under Cob Skirt) (18-1/2 Gallon, Code 1501)
RC-160 SERIES

KEY	DESCRIPTION	CHASSIS NO.		I H PART NUMBER
		BELOW 1759	1759 AND UP	
1	HOSE	X	X	73 098 R91
	PIPE, 5/16"	X	X	995 062 R1
	NUT, INVERTED FLARED, 5/16"	X	X	140 381
2	BOLT, HEX-HD., 1/4NF x 1"	X	X	181 658
	CLIP		X	140 787
	LOOM	X	X	44 197 H
	NUT, HEX., 1/4NF	X	X	103 024
	WASHER, LK., 1/4", MED.	X	X	103 319
	CLIP	X		137 193
3	TANK	X	X	126 662 R11
4	OUTLET	X	X	126 660 R91
	GASKET	X	X	65 161 H
5	SCREW, FL-HD., No. 10 x 1/4"	X	X	132 108
6	CAP, w/GASKET, ASM.			
	CHASSIS No. 1759 AND UP		X	126 368 R91
	BELOW CHASSIS No. 1759	X		67 097 H
7	NECK	X	X	93 200 R91
8	HOSE	X	X	85 351 H
9	CLAMP	X	X	996 261 R91

PRINTED IN UNITED STATES OF AMERICA

MT-97

GROUP 15 – FUEL TANKS AND PIPING



KEY	DESCRIPTION	CHASSIS NO.		IH PART NUMBER
		BELOW 1759	1759 AND UP	
FIG. 15-2 – FUEL TANK (Gasoline) (Under Cab Skirt) (18-1/2 Gallon, Code 1501) - Continued				
10	STRAP	X	X	93 201 R12
	LINING	X	X	72 896 R1
	RIVET, OVAL-HD., 9/64 x 1/4"	X	X	104 448
11	BOLT, CARR., 3/8NC x 1-3/4"	X	X	104 010 R1
12	NUT, HEX., 3/8NC	X	X	69 981 R1
13	BOLT, HEX-HD., 1/2NF x 1/2"		X	181 683
	GASKET		X	119 937
	PLUG	X		117 244
14	SUPPORT	X	X	93 203 R11
15	BOLT, HEX-HD., 3/8NF x 1-1/4"	X	X	182 724
	WASHER, LK., 3/8", MED.	X	X	103 321
	SPACER		X	126 661 R1
16	BOLT, HEX-HD., 3/8NF x 7/8"	X	X	182 717
	NUT, HEX., 3/8NF	X	X	103 026
	WASHER, LK., 3/8", MED.	X	X	103 321
17	BRACKET	X	X	93 202 R11
18	GAUGE	X	X	93 205 R91
	SCREW, FIL-HD., No. 10NF x 1/4"	X	X	119 114
	NUT	X	X	115 999
	GASKET	X	X	65 763 R1
19	GROMMET		X	32 649 H

MT-97 Rev. No. 2, 7/56

GROUP 15 – FUEL TANKS AND PIPING

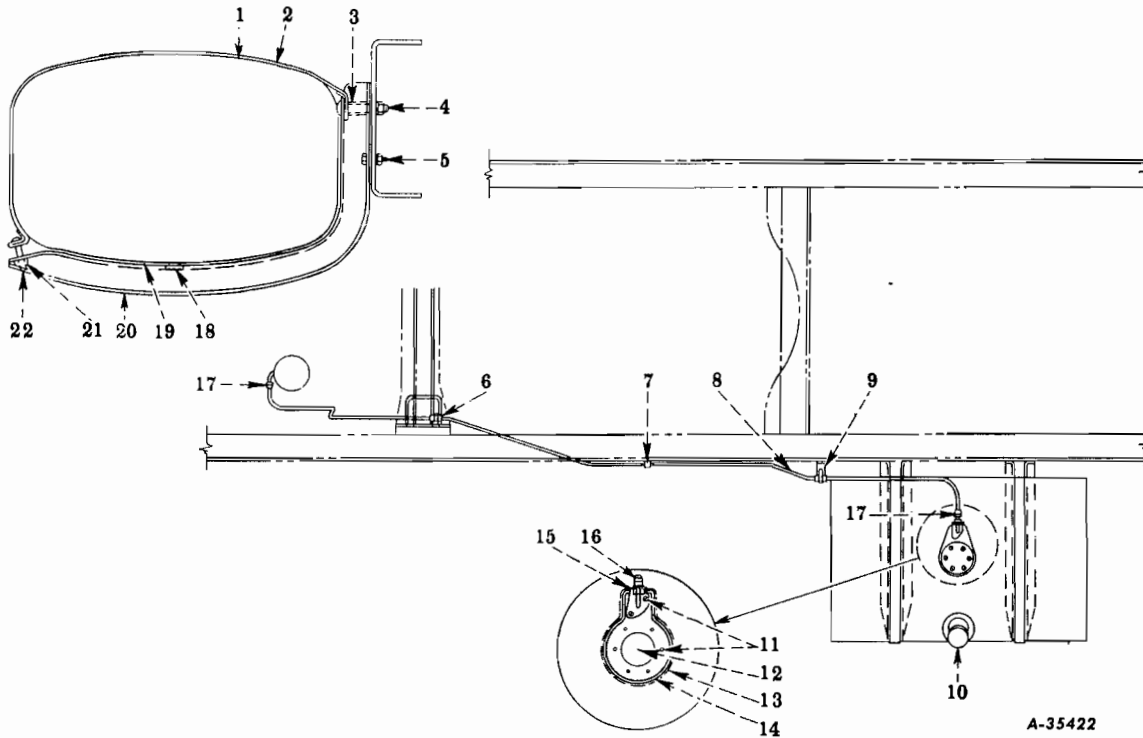


FIG. 15-3 — FUEL TANK (Gasoline) (Single, Left Side Mounted) (31 Gallon, Code 1507)
(RC-160 Series)

KEY	DESCRIPTION	I H PART NUMBER
1	NOT USED	
2	STRAP	120 617 HB
3	SPACER	133 268 H
4	BOLT, CARR., 1/2NC x 3" NUT, HEX., 1/2NC WASHER, LK., 1/2", MED.	12 400 R1 220 068 103 323
5	BOLT, HEX-HD., 3/8NF x 1-1/4" NUT, HEX., 3/8NF WASHER, LK., 3/8", MED.	182 724 103 026 103 321
6	NOT USED	
7	CLIP BOLT, HEX-HD., 1/4NF x 7/8" NUT, HEX., 1/4NF WASHER, LK., 1/4", MED. LOOM	137 193 182 657 103 024 103 319 44 197
8	PIPE, 5/16" HOSE, FLEXIBLE, ASM.	995 062 R1 73 098 R9I

PRINTED IN UNITED STATES OF AMERICA



GROUP 15 – FUEL TANKS AND PIPING

KEY	DESCRIPTION	ITEM PART NUMBER
FIG. 15-3 – FUEL TANK (Gasoline) (Single, Left Side Mounted) (31 Gallon, Code 1507) - Continued		
9	CLIP	137 193
	BOLT, HEX-HD., 1/4NF x 7/8"	182 657
	NUT, HEX., 1/4NF	103 024
	WASHER, LK., 1/4", MED.	103 319
	EXTENSION	122 665 H
	LOOM	44 197 H
10	CAP	67 097 H
	GASKET	61 060 V
11	SCREW, FIL-HD., No. 10NF x 3/8"	132 108
12	SCREW, RD-HD., No. 8NC x 1/4"	132 750
	WASHER, LK., No. 8, INT.	138 166
13	GAUGE	68 115 HA
14	GASKET	63 474 H
15	GASKET	65 161 H
16	OUTLET	67 999 HA
17	NUT, FLARED TUBE, 5/16"	140 381
18	BOLT, HEX-HD., 1/2NF x 1/2"	181 683
	GASKET	119 937
19	TANK, ASM.	68 145 HBX
20	SUPPORT, ASM.	42 699 HAY
	LINING	42 693 H
21	NUT, HEX., LK., 3/8NC	69 981 RI
22	BOLT, CARR., 3/8NC x 1-3/4"	182 728
	WASHER, LK., 3/8", MED.	103 321

MT-97

GROUP 15 – FUEL TANKS AND PIPING

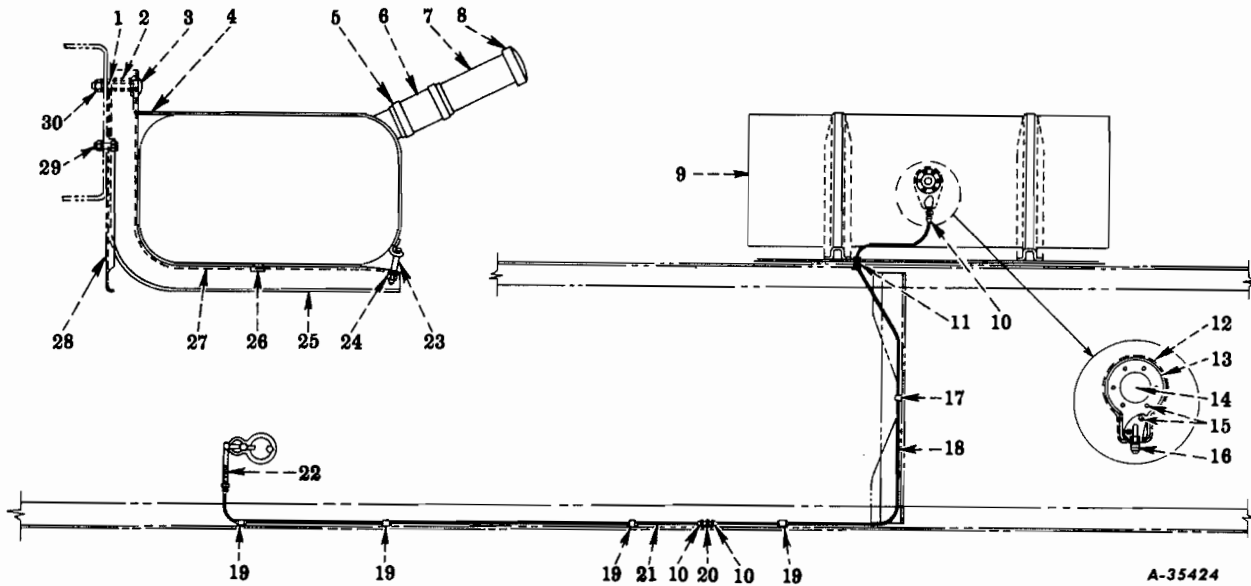


FIG. 15-4 – FUEL TANK GASOLINE (Single, Right Side Mounted) (30 Gallon, Code 1510)
 (R-153 With 154, 172" W.B.)
 (R-160 Series With 172, 190, 208" W.B.)

KEY	DESCRIPTION	PART NUMBER
1	SPACER, INNER	78 036 R1
2	SPACER, OUTER	133 268 H
3	BOLT	
	CARR., 1/2NC x 3" HEX-HD., 3/8NF x 1-1/4"	12 400 R1 182 724
4	STRAP, w/LINING	42 692 HBX
	NUT, HEX., LK., 3/8NF	12 259 R1
	PIN, COTTER, 3/32 x 3/4"	137 164
	PIN	43 781 H
5	CLAMP	996 261 R91
6	HOSE	62 299 H
7	NECK	78 039 R11
8	CAP, w/GASKET, ASM.	67 097 H
	GASKET	61 060 V
9	TANK, ASM.	121 497 R91
10	NUT, FLARE, 5/16"	140 381
11	GROMMET	32 649 H
12	GASKET	63 474 H
13	GAUGE	78 041 R91
14	SCREW, RD-HD., No. 8NC x 1/4"	132 750
	WASHER, LK., No. 8, INT.	138 166
15	SCREW, FIL-HD., No. 10NF x 3/8"	132 108

PRINTED IN UNITED STATES OF AMERICA

MT-97

GROUP 15 - FUEL TANKS AND PIPING



KEY	DESCRIPTION	I H PART NUMBER
FIG. 15-4 - FUEL TANK GASOLINE (Single, Right Side Mounted) (30 Gallon, Code 1510) - Continued		
16	OUTLET	78 035 R9I
	SCREW, FIL-HD., No. 10NF x 3/8"	132 108
17	CLIP	137 193
	BOLT, HEX-HD., 1/4NF x 3/4"	182 654
	LOOM	44 197 H
	NUT, HEX., 1/4NF	103 024
	WASHER, LK., 1/4", MED.	103 319
18	PIPE, 5/16"	995 062 RI
19	CLIP	137 193
	BOLT, HEX-HD., 1/4NF x 1"	182 658
	LOOM	44 197 H
	NUT, HEX., 1/4NF	103 024
	WASHER, LK., 1/4", MED.	103 319
	EXTENSION	122 665 H
	EXTENSION	88 179 H
	BOLT, HEX-HD., 1/4NF x 1/2"	182 647
20	UNION, 5/16", STD.	118 801
21	PIPE, 5/16"	995 062 RI
22	HOSE, FLEXIBLE	73 098 R9I
23	BOLT, CARR., 3/8NC x 1-3/4"	104 010 RI
24	NUT, HEX-HD., 3/8NC	69 981 RI
25	SUPPORT	
	FOR 154, 172" W.B.	91 918 R1I
	FOR 190, 208" W.B.	78 042 R1I
26	BOLT, HEX-HD., 1/2NF x 1/2" (DRAIN PLUG)	181 623
	GASKET	119 937
27	LINING	42 698 H
	RIVET, TUBULAR, 9/64 x 7/16"	46 372 H
28	SHIELD	
	w/o REINF.	75 286 RI
	w/REINF.	84 150 RI
	BOLT, HEX-HD., 1/4NF x 3/4"	182 654
	NUT, HEX., 1/4NF	103 024
	WASHER, LK., 1/4", MED.	103 319
29	BOLT, HEX-HD., 3/8NF x 1"	182 718
	NUT, HEX., 3/8NF	103 026
	WASHER, LK., 3/8"	103 321
30	NUT, HEX.	
	3/8NF	103 026
	1/2NC	103 024
	WASHER, LK.	
	3/8", MED.	103 321
	1/2", MED.	103 323

MT-97

GROUP 15 – FUEL TANKS AND PIPING

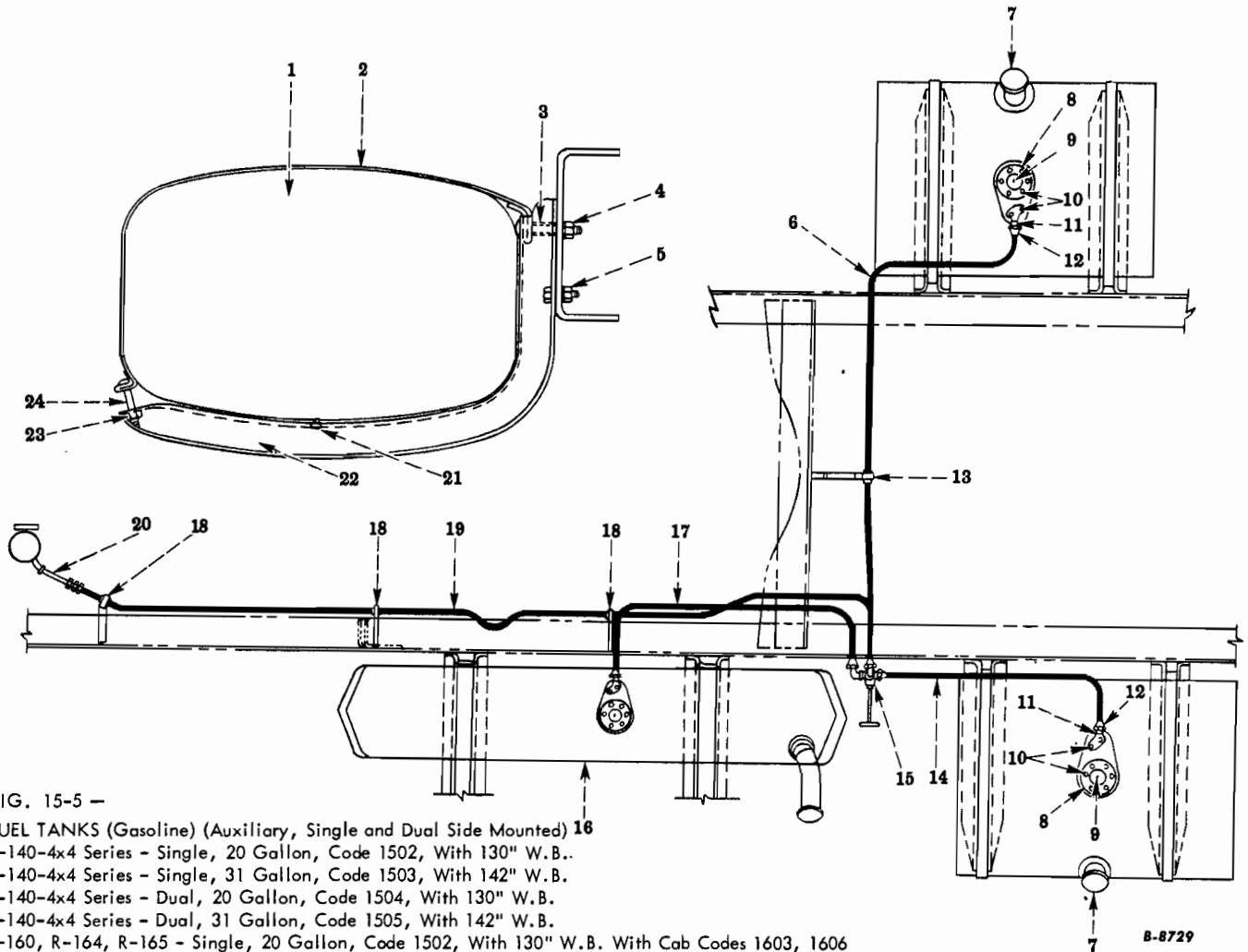


FIG. 15-5 –
 FUEL TANKS (Gasoline) (Auxiliary, Single and Dual Side Mounted) 16
 R-140-4x4 Series - Single, 20 Gallon, Code 1502, With 130" W.B..
 R-140-4x4 Series - Single, 31 Gallon, Code 1503, With 142" W.B..
 R-140-4x4 Series - Dual, 20 Gallon, Code 1504, With 130" W.B..
 R-140-4x4 Series - Dual, 31 Gallon, Code 1505, With 142" W.B..
 R-160, R-164, R-165 - Single, 20 Gallon, Code 1502, With 130" W.B. With Cab Codes 1603, 1606
 R-160, R-164, R-165 - Single, 31 Gallon, Code 1503, With 142, 154, 172, 180, 208" W.B. With Cab Codes 1603, 1606
 R-160, R-164, R-165 - Dual, 31 Gallon, Code 1505, With 142, 154, 172" W.B. With Cab Codes 1603, 1606
 R-160-4x4 Series - Single, 31 Gallon, Code 1503
 RC-160 Series - Single, 31 Gallon, Code 1503, With 130, 142, 154, 172" W.B.

KEY	DESCRIPTION	CODE		I H PART NUMBER
		1502 1503	1504 1505	
1	TANK	X		68 145 HBX
			X	118 538 R9I
2	STRAP	X	X	120 617 HB
	LINING	X	X	42 697 H
	RIVET, SPLIT, 9/64 x 1/4"	X	X	104 447
3	SPACER	X	X	133 268 H
4	BOLT, CARR., 1/2NC x 3"	X	X	12 400 RI
	NUT, HEX., 1/2NC	X	X	200 068
	WASHER, LK., 1/2", MED.	X	X	103 323
5	BOLT, HEX-HD., 3/8NF x 1-1/4"	X	X	182 724
	NUT, HEX., 3/8NF	X	X	103 026
	WASHER, LK., 3/8", MED.	X	X	103 321
	SPACER, AT REAR (R-140-4x4 SERIES)		X	126 140 RI

PRINTED IN UNITED STATES OF AMERICA

MT-97

GROUP 15 – FUEL TANKS AND PIPING



KEY	DESCRIPTION	CODE		I H PART NUMBER
		1502 1503	1504 1505	
FIG. 15-5 – FUEL TANKS (Gasoline) (Auxiliary, Single and Dual Side Mounted) – Continued				
6	PIPE, 5/16"	X	X	126 386 R91
	LOOM, 5/16 x 15"	X	X	61 221 H
7	CAP, ASM.	X		126 368 R91
8	GAUGE	X	X	68 115 HA
	GASKET	X	X	107 811 R1
9	SCREW, RD-HD., No. 8NC x 1/4"	X	X	132 750
	WASHER, LK., No. 8, INT.	X	X	138 166
10	SCREW, FIL-HD., No. 10NF x 3/8"	X	X	132 108
11	OUTLET	X	X	67 999 HA
	GASKET	X	X	107 810 R1
12	NUT, INVERTED FLARED, 5/16"	X	X	140 381
13	EXTENSION	X	X	122 665 H
	BOLT, HEX-HD., 1/4NF x 7/8"	X	X	182 657
	1/4NF x 5/8"	X	X	182 650
	NUT, HEX., 1/4NF	X	X	103 024
	WASHER, LK., 1/4", MED.	X	X	103 319
	CLIP	X	X	137 193
	LOOM, 5/16 x 3/4"	X	X	44 197 H
14	PIPE, 5/16"		X	126 454 R91
	LOOM, 5/16 x 15"		X	62 221 H
15	COCK (SEE SEPARATE ILLUSTRATION)			
16	TANK (SEE FIG. 15-1)			
17	PIPE, 5/16"	X	X	995 062 R91
18	EXTENSION			88 183 H
	BOLT, HEX-HD., 1/4NF x 7/8"	X	X	182 657
	1/4NF x 1/2"	X	X	182 647
	NUT, HEX., 1/4NF	X	X	103 024
	WASHER, LK., 1/4", MED.	X	X	103 319
	CLIP	X	X	137 193
	LOOM	X	X	44 197 H
19	PIPE, 5/16"	X	X	995 062 R91
20	HOSE, 5/16"	X	X	73 098 R91
21	BOLT, HEX-HD., 1/2NF x 1/2"	X	X	182 768
	GASKET	X	X	119 937
22	SUPPORT	X	X	42 699 HAY
	LINING	X	X	42 697 H
	RIVET, TUBULAR, 9/64 x 7/16"	X	X	46 372 H
23	NUT, HEX., LK., 3/8NC	X	X	69 981 R1
24	BOLT, CARR., 3/8 NC x 1-3/4"	X	X	104 010 R1

PRINTED IN UNITED STATES OF AMERICA

MT-97

GROUP 15 – FUEL TANKS AND PIPING



KEY	DESCRIPTION	CODE		I H PART NUMBER
		1502 1503	1504 1505	

FIG. 15-5 – FUEL TANKS (Gasoline) (Auxiliary, Single and Dual Side Mounted) - Continued

(*)	SHIELD, RT. TANK			
	R-140-4x4 SERIES, CODES 1502, 1504	X	X	80 115 R1
	R-160, R-161, R-162, R-164, R-165, CODES 1502, 1503, 1505;			
	R-160-4x4 SERIES, CODE 1503; R-140-4x4 SERIES, CODE 1503, 1505	X	X	80 116 R1
	BOLT, HEX-HD., 1/4NF x 5/8"	X	X	182 650
	NUT, HEX., 1/4NF	X	X	103 024
	WASHER			
	FL., 1/4"	X	X	103 339
	LK., 1/4", MED.	X	X	103 319

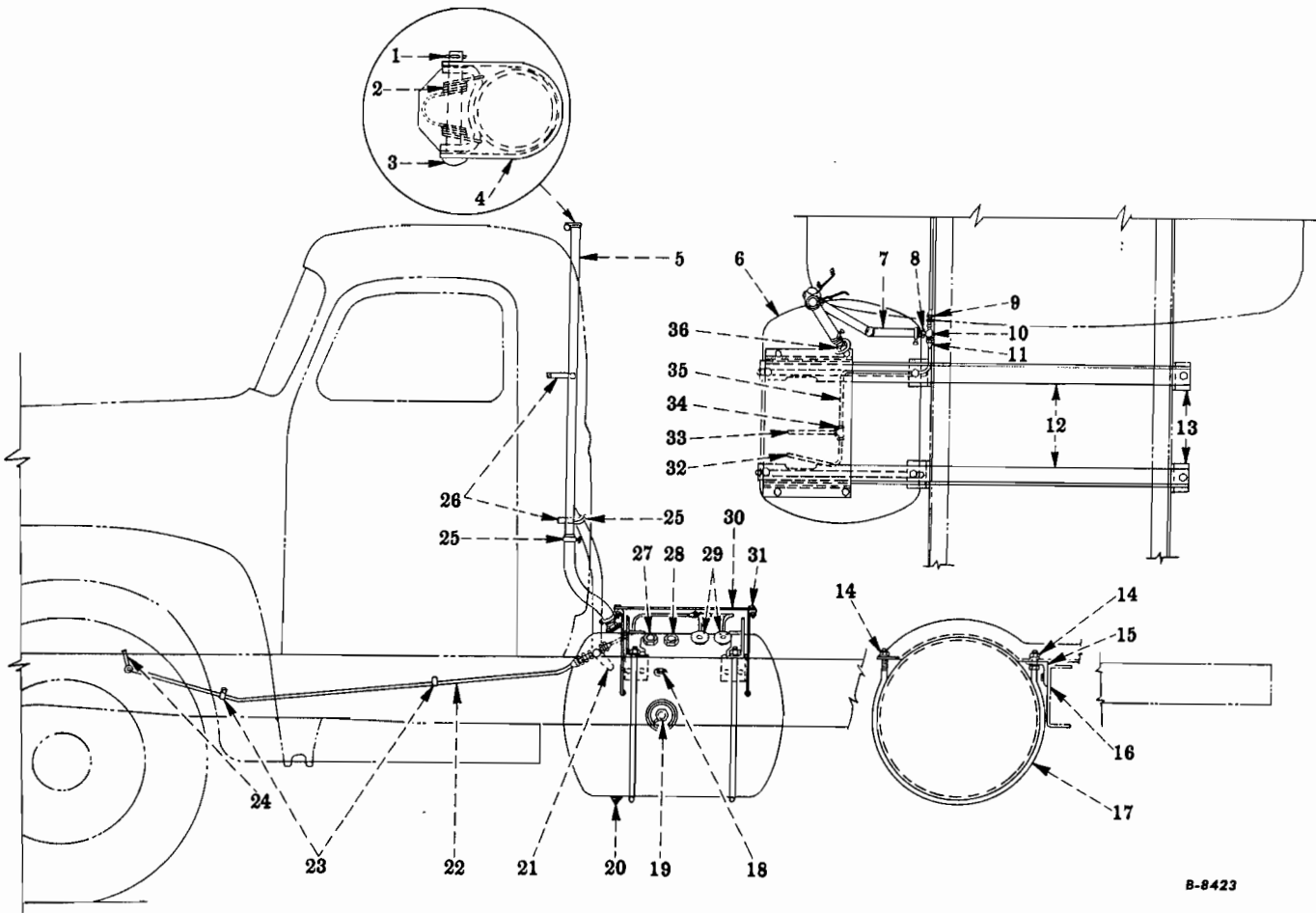
RIGHT HAND DRIVE

18	CLIP	X	X	127 193
	BOLT, HEX-HD., 1/4NF x 1/2"	X	X	182 647
	LOOM	X	X	44 197 H
	NUT, HEX., 1/4NF	X	X	103 024
	WASHER, LK., 1/4", MED.	X	X	103 319
	EXTENSION	X	X	88 185 H
	BOLT, HEX-HD., 3/8NF x 1"	X	X	182 718
	NUT, HEX., 3/8NF	X	X	103 026
	WASHER, LK., 3/8", MED.	X	X	103 321

(*) PARTS NOT ILLUSTRATED

MT-97 Rev. No. 2, 7/56

GROUP 15 - FUEL TANKS AND PIPING



B-8423

FIG. 15-6 - FUEL TANK (LPG) (Single, Left Side Mounted) (43 Gallon, Code 1520; 62 Gallon, Code 1521) (R-160 Series)

KEY	DESCRIPTION	I H PART NUMBER
1	PIN, COTTER, 1/16 x 1/2"	103 361
2	SPRING	114 164 R1
3	PIN	122 468 R1
4	CAP	122 465 R1
5	PIPE	148 704 R91
6	TANK	
	CODE 1520	122 479 R91
	CODE 1521 (FOR 142, 154, 172" W.B TRUCKS)	122 481 R91
7	HOSE, 7/8" I.D.	122 487 R1
8	VALVE, ASM.	109 846 R91
9	VALVE, ASM.	110 626 R91
10	TEE, 1/4"	122 467 R1
11	CONNECTOR	109 580 R1
12	SUPPORT	122 477 R1

PRINTED IN UNITED STATES OF AMERICA

MT-97

GROUP 15 - FUEL TANKS AND PIPING



KEY	DESCRIPTION	I H PART NUMBER
FIG. 15-6 - FUEL TANK (LPG) (Single, Left Side Mounted) (43 Gallon, Code 1520; 62 Gallon, Code 1521) - Continued		
13	BOLT, HEX-HD., 3/4NF x 1-3/4"	271 949
	NUT, HEX., 3/4NF	218 197
	WASHER	
	FL., 3/4"	103 346
	LK., 3/4", MED.	103 326
14	NUT, HEX., 3/4NF	218 197
	WASHER	
	FL., 3/4"	103 346
	LK., 3/4", MED.	103 326
15	BRACKET	110 565 R1
16	BOLT, HEX-HD., 1/2NF x 1-3/4"	182 780
	NUT, HEX., 1/2NF	114 496
	WASHER, LK., 1/2", MED.	103 323
17	U-BOLT	110 567 R2
18	GAUGE	109 845 R9I
19	GAUGE, ASM.	109 570 R9I
20	PLUG, PIPE, 3/4"	143 936
21	BRACKET	109 952 R1
22	PIPE	995 063 R1
23	CLIP	137 194
	BOLT, HEX-HD., 1/4NF x 3/4"	182 658
	NUT, HEX., 1/4NF	121 908
	WASHER, LK., 1/4", MED.	115 109
24	UNION, 3/8"	109 560 R1
25	CLAMP	996 26. R9I
26	RIVET	85 303 R1
	SCREW, RD-HD., CROSS RECESS., 1/4NC x 3/4"	155 348
	WASHER, LK., 1/4", MED.	120 380
27	VALVE, ASM.	109 568 R9I
28	VALVE, ASM.	109 567 R9I
29	VALVE, ASM.	109 580 R9I
30	COVER	122 471 R1
31	BOLT, HEX-HD., 5/16NF x 1"	182 689
	WASHER, LK., 5/16", MED.	116 120
32	PIPE, 3/8"	995 063 R1
33	PIPE, 3/8"	995 063 R1
34	TEE, 3/8"	109 562 R1
35	PIPE, 3/8"	995 063 R1
36	VALVE	122 491 R9I

MT-97 Rev. No. 2, 7/56

GROUP 15 – FUEL TANKS AND PIPING

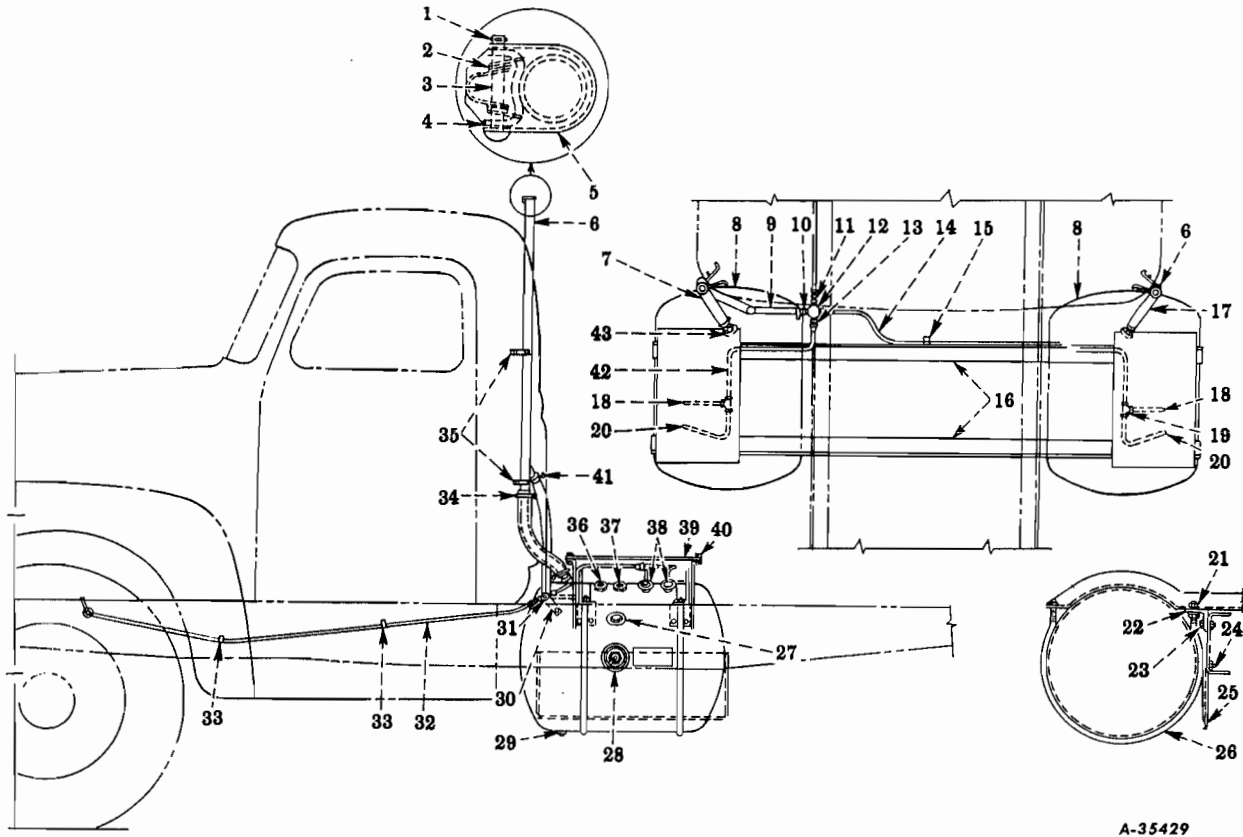


FIG. 15-7 — FUEL TANK (LPG) (Dual, Side Mounted) (43 Gallon, Code 1583; 62 Gallon, Code 1582) (R-160 Series)

KEY	DESCRIPTION	I H PART NUMBER
1	PIN, COTTER, 1/16 x 5/8"	137 142
2	SPRING	114 164 R1
3	PIN	122 468 R1
4	WASHER	118 773
5	CAP	122 465 R1
6	PIPE	
	LT.	148 704 R91
	RT.	148 705 R91
7	HOSE, 1-1/4" I.D.	
	FOR CAB CODE 1603	123 161 R1
	FOR CAB CODE 1609	122 483 R1
8	TANK	
	FOR 130" W.B. (43 GAL.)	
	LT.	122 479 R91
	RT.	122 480 R91
	FOR 142, 154, 172" W.B. (62 GAL.)	
	LT.	122 481 R91
	RT.	122 482 R91

PRINTED IN UNITED STATES OF AMERICA

MT-97

GROUP 15 - FUEL TANKS AND PIPING



KEY	DESCRIPTION	I H PART NUMBER
FIG. 15-7 - FUEL TANK (LPG) (Dual, Side Mounted) (43 Gallon, Code 1583; 62 Gallon, Code 1582) - Continued		
9	HOSE, 7/8" I.D.	122 487 R1
10	VALVE	109 846 R9I
11	VALVE	110 626 R9I
12	CROSS	109 581 R1
13	CONNECTOR	109 580 R1
14	PIPE, 3/8"	995 063 R1
15	CLIP	137 194
	BOLT, HEX-HD.	182 654
	NUT, HEX., 1/4NF	103 024
	WASHER, LK., 1/4", MED.	103 319
	LOOM	44 197 H
16	SUPPORT	110 568
17	HOSE, 1-1/4" I.D.	123 161 R1
18	PIPE, 3/8"	995 063 R1
19	TEE, 3/8"	109 562 R1
20	PIPE, 3/8"	995 063 R1
	NUT, FLARED, 3/8"	118 511 R1
21	NUT, HEX., 3/4NF	103 031
	WASHER	
	FL., 3/4"	Q 274
	LK., 3/4", MED	103 326.
22	BRACKET	126 723 R1
23	BOLT, HEX-HD., 1/2NF x 1-3/4"	182 780
	NUT, HEX., 1/2NF	103 028
	WASHER, LK, 1/2", MED.	103 323
24	BOLT, HEX-HD., 3/8NF x 1-1/2"	172 726
	NUT, HEX., 3/8NF	103 026
	WASHER, LK., 3/8", MED.	103 321
25	SHIELD (RIGHT TANK)	116 877 R1I
26	BOLT-U	110 567 R1I
27	GAUGE (ROTARY)	109 570 R9I
28	GAUGE	109 845 R9I
29	PLUG, 3/4"	143 936
30	BRACKET	109 952 R1
31	BOLT, HEX-HD., 1/4NF x 1"	182 658
	NUT, HEX., 1/4NF	103 024
	WASHER, LK., 1/4", MED.	103 319
32	PIPE, 3/8"	995 063 R1
33	CLIP	137 194
	BOLT, HEX-HD., 1/4NF x 3/4"	182 654
	NUT, HEX., 1/4NF	103 024
	WASHER, LK., 1/4", MED.	103 319
	EXTENSION	122 665 H

MT-97

GROUP 15 - FUEL TANKS AND PIPING



KEY	DESCRIPTION	I H PART NUMBER
FIG. 15-7 — FUEL TANK (LPG) (Dual, Side Mounted) (43 Gallon, Code 1583; 62 Gallon, Code 1582) - Continued		
34	CLAMP	995 219 RI
35	RIVNUT	85 303 RI
	SCREW, RO-HD., CROSS RECESS, 1/4NC x 3/4"	155 348
	WASHER, LK, 1/4", MED.	103 319
36	VALVE	109 568 R9I
37	VALVE	109 567 R9I
38	VALVE	109 850 R9I
39	COVER	122 471 RI
40	BOLT, HEX-HD., 5/16NF x 1"	182 689
	WASHER, LK., 5/16", MED.	116 120
41	CLAMP	996 261 R9I
42	PIPE, 3/8"	995 063 R9I
	VALVE	122 491 R9I
43	WASHER	109 953 RI
	ELBOW	110 606 RI

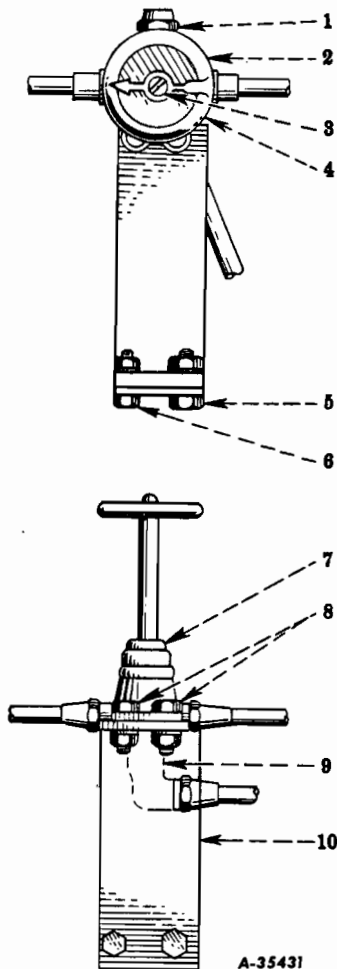


FIG. 15-8 – COCK, FUEL LINE SHUT-OFF, ASSEMBLY (Gasoline Tanks)
 (R-140-4x4, R-160-4x4, RC-160 Series)
 (R-160, R-164, R-165)

KEY	DESCRIPTION	I H PART NUMBER
1	NUT	99 078 H
2	PLATE	75 305 R1
	SCREW, DR., No. 6 x 1/4"	137 255
	BUSHING (RC-160 ONLY)	1 404 Y
3	SCREW, RD-HD., No. 8NC x 7/16"	133 237
	WASHER, LK., No. 8, INT.	138 166
4	WHEEL	68 231 H
5	NUT, HEX., 3/8NF	103 026
	WASHER, LK., 3/8", MED.	103 321
	BOLT, HEX-HD., 3/8NF x 1-1/4"	182 724
6	BOLT, HEX-HD., 1/4NF x 1-1/4"	182 660
	NUT, HEX., 1/4NF	103 024
	WASHER, LK., 1/4", MED.	103 319

