



GROUP 17 – WHEELS

DISC

FRONT WHEEL HUB AND BRAKE DRUM

- FIG. 17-1 R-100, R-110 SERIES
- FIG. 17-2 R-120 SERIES - WITH 16" TIRES
- FIG. 17-3 R-120 SERIES - WITH 20" TIRES
R-130 SERIES
- FIG. 17-4 R-140-4x4, R-160-4x4
- FIG. 17-5 R-150, R-153, R-160, R-163, R-165, RC-160
- FIG. 17-6 R-164

REAR WHEEL HUB AND BRAKE DRUM

- FIG. 17-7 R-100 SERIES
- FIG. 17-8 R-110 SERIES
- FIG. 17-9 R-120 SERIES - WITH 16" TIRES
- FIG. 17-10 R-120 SERIES - WITH 20" TIRES
- FIG. 17-11 R-130 SERIES
- FIG. 17-12 R-140-4x4, R-150 SERIES (SINGLE)
- FIG. 17-13 R-140-4x4, R-150, R-153, R-160, R-163, R-165, R-160-4x4, RC-160 (DUAL)
- FIG. 17-14 R-164

DISC WHEELS AND SIDE RINGS

- FIG. 17-15 R-120, R-130, R-140-4x4, R-150, R-160, R-160-4x4, RC-160 SERIES

CAST

FRONT WHEEL AND BRAKE DRUM

- FIG. 17-16 R-160, RC-160 SERIES

REAR WHEEL AND BRAKE DRUM

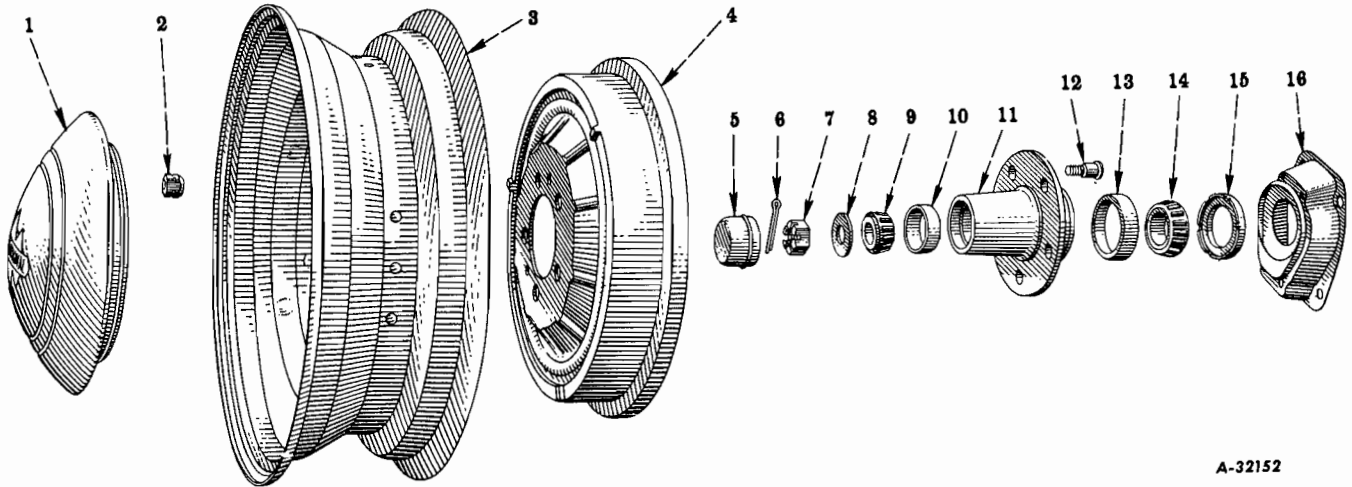
- FIG. 17-18 R-160, RC-160 SERIES

RIMS, SIDE RINGS AND REAR WHEEL SPACES

- FIG. 17-17 R-160, RC-160 SERIES

MT-97

GROUP 17 - WHEELS



A-32152

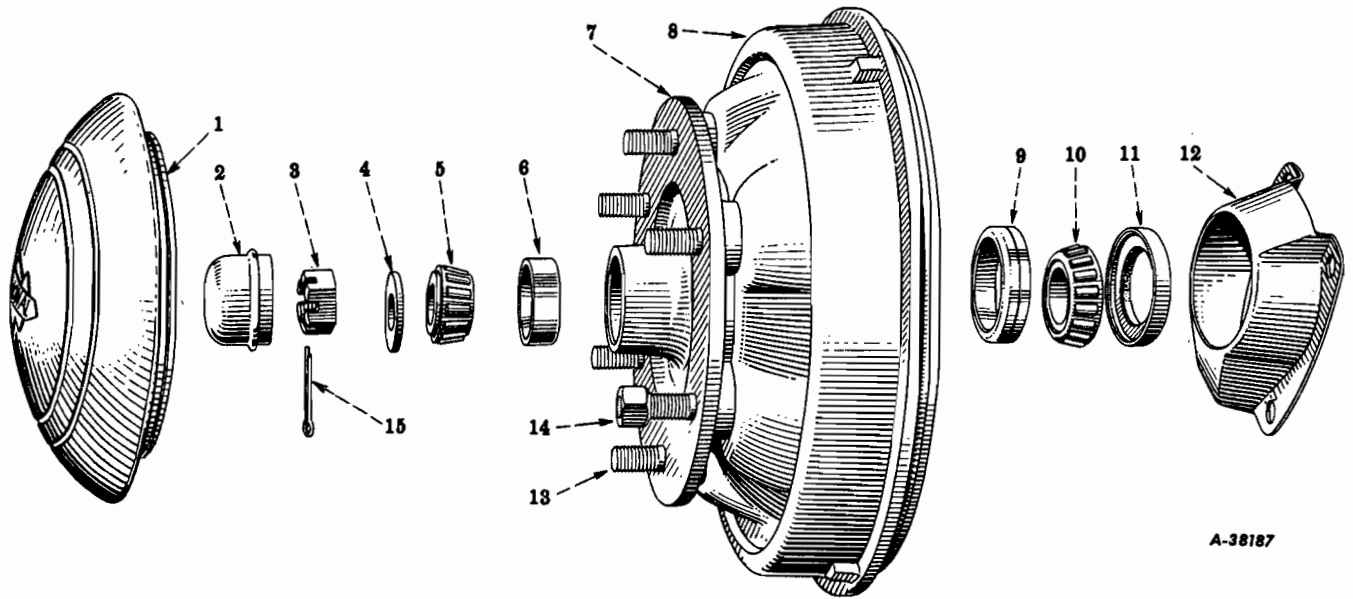
FIG. 17-1 - FRONT WHEEL, HUB AND BRAKE DRUM (Disc)
(R-100, R-110 Series)

KEY	DESCRIPTION	NO. REQ'D	I H PART NUMBER
1	CAP	2	97 337 H
2	NUT		
	LT.	5	69 958 H
	RT.	5	69 957 H
3	WHEEL, ASM.		
	FOR 6.00 x 16, 6.50 x 16, 7.00 x 16 TIRES	2	98 365 HA ✓
	FOR 6.70 x 15 TIRES	2	124 371 R91
	WHEEL, LESS RING, ASM. (FOR 7.00 x 15 TIRES)	2	126 117 R91
	RING, (FOR 7.00 x 15 TIRES)	2	126 131 R1
	WHEEL, ASM. (FOR 7.10 x 15 TIRES)	2	84 884 HA
4	DRUM		
	FOR R-100 SERIES	2	127 017 R91
	FOR R-110 SERIES	2	97 377 HB
5	CAP	2	58 636 H
6	PIN, COTTER, 1/8 x 1-1/4"	2	103 386
7	NUT	2	1 045 Y
8	WASHER	2	97 786 H
9	BEARING	2	83 920 H
10	BEARING	2	83 921 H
11	HUB, w/BEARINGS, ASM.	2	84 879 HX
12	BOLT		
	LT.	5	69 956 H ✓
	RT.	5	69 955 H ✓
13	BEARING	2	13 822 V
14	BEARING	2	1 165 Y
15	SEAL, ASM.	2	122 411 R91
16	GUARD, ASM.	2	81 416 R91

PRINTED IN UNITED STATES OF AMERICA

MT-97

GROUP 17 - WHEELS



A-38187

FIG. 17-2 - FRONT WHEEL HUB AND BRAKE DRUM (Disc)
(R-120 Series With 16" Tires)

KEY	DESCRIPTION	NO. REQ'D	I H PART NUMBER
1	CAP	2	96 918 H
2	CAP	2	58 636 H
3	NUT	2	1 045 Y
4	WASHER	2	97 786 H
5	BEARING	2	83 920 H
6	BEARING	2	83 921 H
7	HUB, w/BEARINGS, ASM.	2	73 604 R91
8	DRUM	2	96 912 HB
9	BEARING	2	13 822 V
10	BEARING	2	1 165 Y
11	SEAL, ASM.	2	122 411 R91
12	GUARD, ASM.	2	81 416 R91
13	BOLT		
	LT.	6	96 915 H
	RT.	6	96 914 H
14	NUT		
	LT.	6	96 917 H
	RT.	6	96 916 H
15	PIN, COTTER, 1/8 x 1-1/2"	2	103 387
⊙	SHIELD	2	73 312 R1
⊙	PARTS NOT ILLUSTRATED		

PRINTED IN UNITED STATES OF AMERICA

MT-97

GROUP 17 - WHEELS

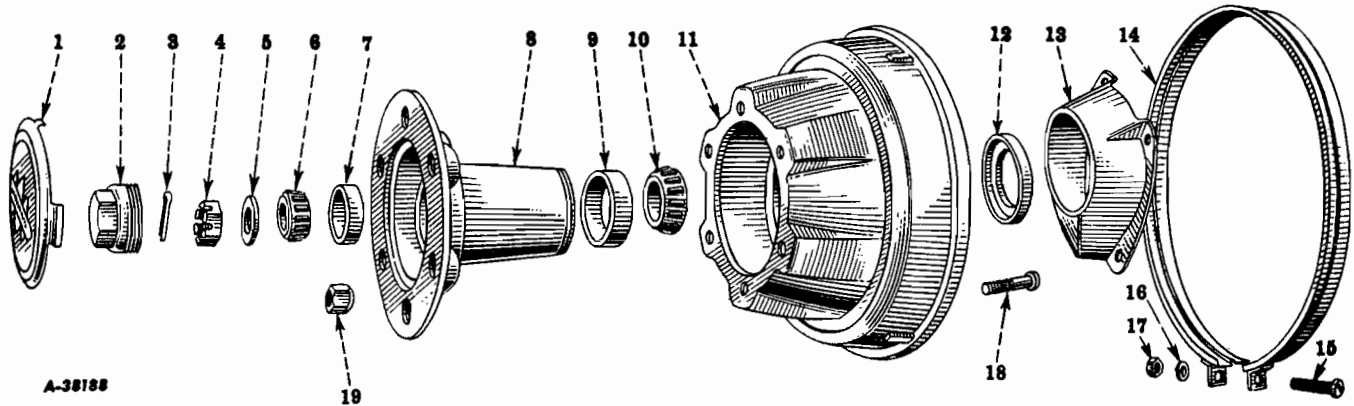


FIG. 17-3 - FRONT WHEEL HUB AND BRAKE DRUM (Disc)
(R-120 Series - With 20" Tires) (R-130 Series)

KEY	DESCRIPTION	NO. REQ'D	I H PART NUMBER
1	CAP	2	88 069 R91
2	CAP	2	55 541 H
3	PIN, COTTER, 1/8 x 1-1/2"	2	103 387
4	NUT	2	1 045 Y
5	WASHER	2	97 786 H
6	BEARING	2	83 920 H
7	BEARING	2	83 921 H
8	HUB, w/BEARINGS, ASM.	2	86 894 R91
9	BEARING	2	13 822 V
10	BEARING	2	1 165 Y
11	DRUM, ASM.	2	85 612 R91
12	SEAL, ASM.	2	122 411 R91
13	GUARD, ASM.	2	81 416 R91
14	SHIELD (FOR R-130 SERIES, ONLY)	2	109 988 R11
15	SCREW, FIL-HD., 1/4NF x 1-1/2" (FOR R-130 SERIES, ONLY)	2	226 309
16	WASHER, LK. 1/4", MED. (FOR R-130 SERIES, ONLY)	2	103 319
17	NUT, HEX., 1/4NF (FOR R-130 SERIES, ONLY)	2	103 024
18	BOLT		
	LT.	6	80 496 R1
	RT.	6	80 497 R1
19	NUT		
	LT.	6	81 365 H
	RT.	6	81 364 H

PRINTED IN UNITED STATES OF AMERICA

MT-97

GROUP 17 - WHEELS

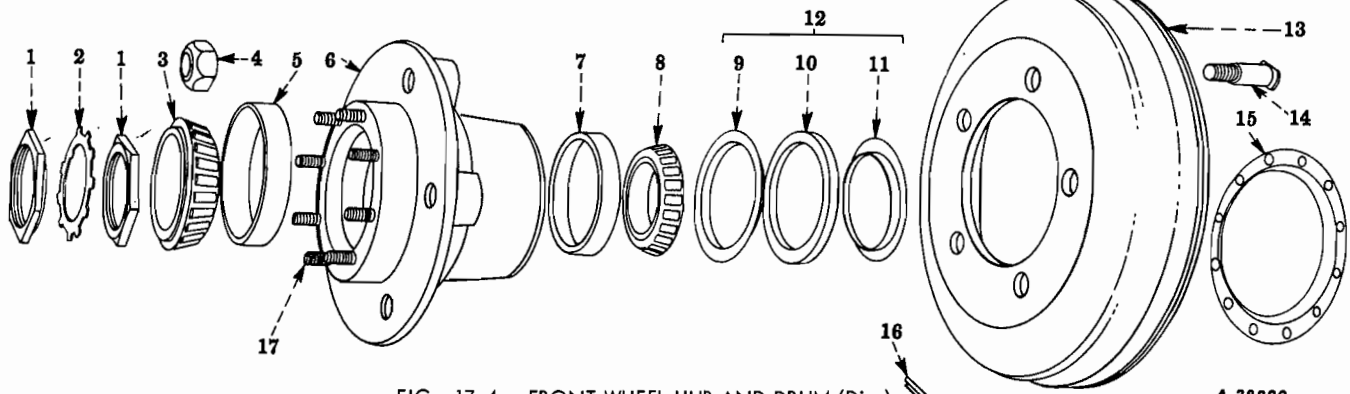


FIG. 17-4 -- FRONT WHEEL HUB AND DRUM (Disc)
(R-140-4x4, R-160-4x4 Series)

A-38320

KEY	DESCRIPTION	NO. REQ'D		I H PART NUMBER
		NOT FOR 11.00x20 TIRES	FOR 11.00x20 TIRES	
1	NUT	4	4	108 335 H
2	LOCK	2	2	108 336 H
3	BEARING	2	2	ST 2 001 A
4	NUT			
	NOT FOR 11.00 x 20 TIRES			
	LT.	5		84 712 H
	RT.	5		84 711 H
	FOR 11.00 x 20 TIRES			
	LT.		6	84 712 H
	RT.		6	84 711 H
5	BEARING	2	2	13 390 D
6	HUB, w/BEARINGS, ASM.			
	NOT FOR 11.00 x 20 TIRES	2		120 417 R11
	FOR 11.00 x 20 TIRES		2	123 640 R11
7	BEARING	2	2	108 326 H
8	BEARING	2	2	108 334 H
9	RETAINER	2	2	108 322 H
10	SEAL	2	2	143 684 H
11	RETAINER	2	2	108 321 H
12	SEAL, ASM.	2	2	108 320 HAX
13	DRUM			
	NOT FOR 11.00 x 20 TIRES	2		120 416 R1
	FOR 11.00 x 20 TIRES		2	123 746 R1
14	BOLT			
	NOT FOR 11.00 x 20 TIRES			
	LT.	5		122 394 R1
	RT.	5		122 395 R1
	FOR 11.00 x 20 TIRES			
	LT.		6	69 327 R2
	RT.		6	69 328 R2
15	GUARD	2	2	108 343 H
16	COVER	2	2	114 479 H
17	STUD (SEE GROUP 02)			

PRINTED IN UNITED STATES OF AMERICA

GROUP 17 - WHEELS

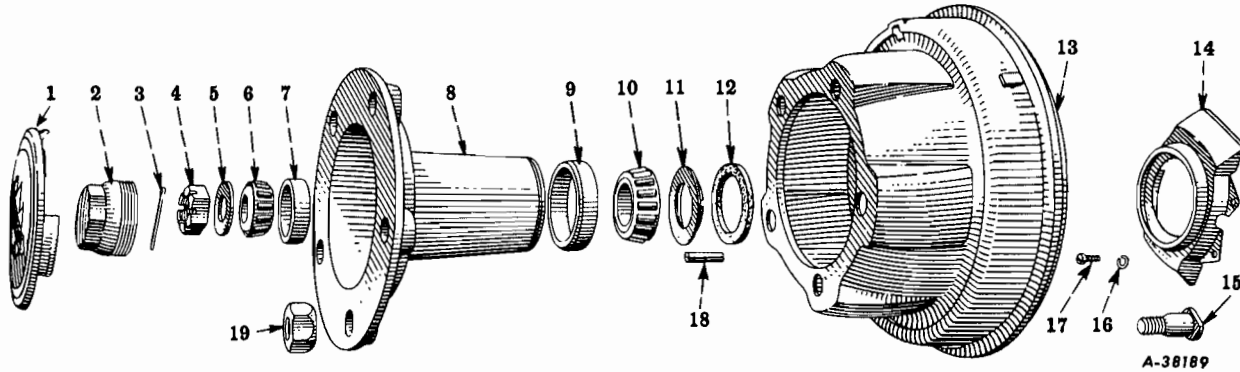


FIG. 17-5 - FRONT WHEEL HUB AND BRAKE DRUM (Disc)
(R-150, R-153, R-160, R-163, R-165, RC-160)

KEY	DESCRIPTION	NO. REQ'D	I H PART NUMBER
1	NOT USED		
2	CAP	2	55 541 H
3	PIN, COTTER, 1/8 x 1-1/2"	2	103 387
4	NUT	2	27 197 H
5	WASHER	2	97 787 H
6	BEARING	2	13 321 DA
7	BEARING	2	13 417 D
8	HUB, w/BEARINGS, ASM.	2	70 656 R11
9	BEARING	2	ST 860
10	BEARING, ASM.	2	ST 763
11	RETAINER	2	83 907 H
12	SEAL	2	25 008 HB
13	DRUM, ASM.		
	FOR R-150, R-153	2	101 179 R91
	FOR R-160, R-163, R-165, RC-160	2	70 659 R91
14	GUARD, ASM.		
	FOR R-150, R-153	2	81 579 R91
	FOR R-160, R-163, R-165, RC-160	2	69 587 R11
15	BOLT		
	FOR R-150, R-153		
	LT.	5	69 327 R2
	RT.	5	69 328 R2
	FOR R-160, R-163, R-165, RC-160		
	LT.	5	80 339 R1
	RT.	5	80 340 R1
16	WASHER, LK., 1/4", MED.	8	103 319
17	SCREW, RD-HD., 1/4NC x 1/2"	8	113 955
18	PIN, GROOVE, 3/16 x 1/2"	2	107 317
19	NUT		
	LT.	5	84 712 H
	RT.	5	84 711 H

MT-97

GROUP 17 - WHEELS

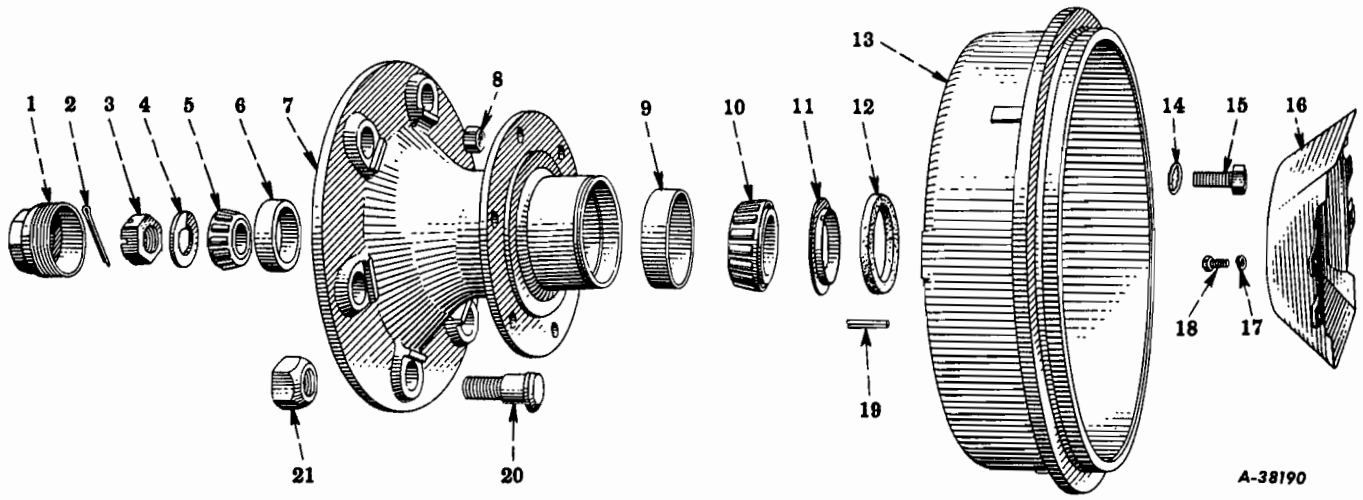


FIG. 17-6 -- FRONT WHEEL HUB AND BRAKE DRUM (Disc)
(R-164)

SANCHEZ

KEY	DESCRIPTION	NO. REQ'D	I H PART NUMBER
1	CAP	2	55 541 H
2	PIN, COTTER, 1/8 x 1-1/2"	2	103 387
3	NUT	2	27 197 H
4	WASHER	2	97 787 H
5	BEARING	2	13 321 DA
6	BEARING	2	13 417 D
7	HUB, w/BEARINGS, ASM.	2	89 747 R91
8	NUT, HEX., LK. 1/2NF	12	12 260 R1
9	BEARING	2	ST 860
10	BEARING	2	ST 763
11	RETAINER	2	83 907 H
12	SEAL	2	25 008 HB
13	DRUM, ASM.	2	87 479 R91
14	WASHER, LK. 1/2", INT.	12	115 551
15	BOLT	12	70 647 R1
16	GUARD	2	69 587 R11
17	WASHER, LK., 1/4", MED.	8	103 319
18	SCREW, RO-HD., 1/4NC x 1/2"	8	113 955
19	PIN, GROOVE, 3/16 x 1/2"	2	107 317
20	BOLT		
	LT.	6	55 540 H
	RT.	6	55 539 H
21	NUT		
	LT.	6	84 712 H
	RT.	6	84 711 H

PRINTED IN UNITED STATES OF AMERICA

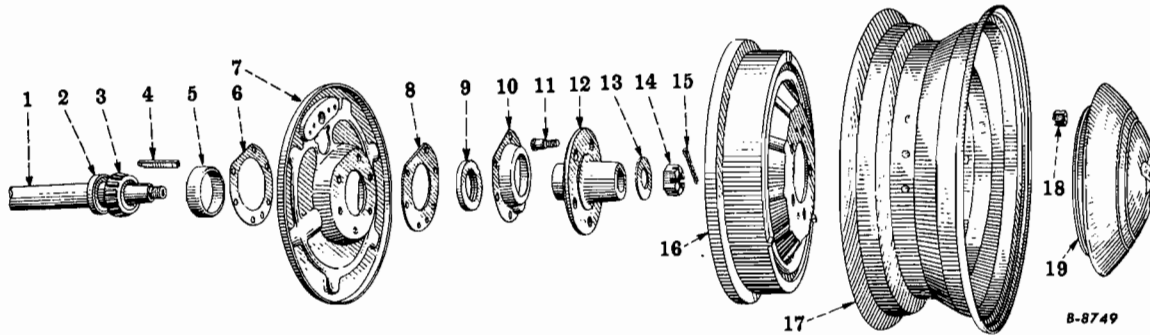


FIG. 17-7 - REAR WHEEL, HUB AND DRUM (Disc)
(R-100 Series)

KEY	DESCRIPTION	NO. REQ'D	I H PART NUMBER
1	SHAFT (SEE GROUP 14)		
2	SEAL (SEE GROUP 14)		
3	BEARING (SEE GROUP 14)		
4	KEY (SEE GROUP 14)		
5	BEARING (SEE GROUP 14)		
6	SHIM		
	.003" THICK	AR	127 974 RI
	.005" THICK	AR	127 975 RI
	.010" THICK	AR	127 976 RI
	.030" THICK	AR	127 977 RI
7	PLATE (SEE GROUP 04)		
8	RETAINER	2	127 978 RI
9	SEAL, ASM.	2	128 234 R9I
10	RETAINER	2	128 233 R9I
11	BOLT		
	LT.	5	69 956 H
	RT.	5	69 955 H
12	HUB	2	84 880 H
13	WASHER, FL., 1-1/16"	2	103 348
14	NUT, HEX., SLT., INF	2	427 651
15	PIN, COTTER, 1/8 x 1-1/2"	2	103 387
16	DRUM	2	127 018 R9I
17	WHEEL, ASM.		
	FOR 6.70 x 15 TIRES	2	124 371 R9I
	FOR 7.10 x 15 TIRES	2	84 884 HA
	FOR 6.00 x 16 TIRES	2	98 365 HA
18	NUT		
	LT.	5	69 958 H
	RT.	5	69 957 H
19	CAP	2	97 337 H

MT-97

GROUP 17 - WHEELS

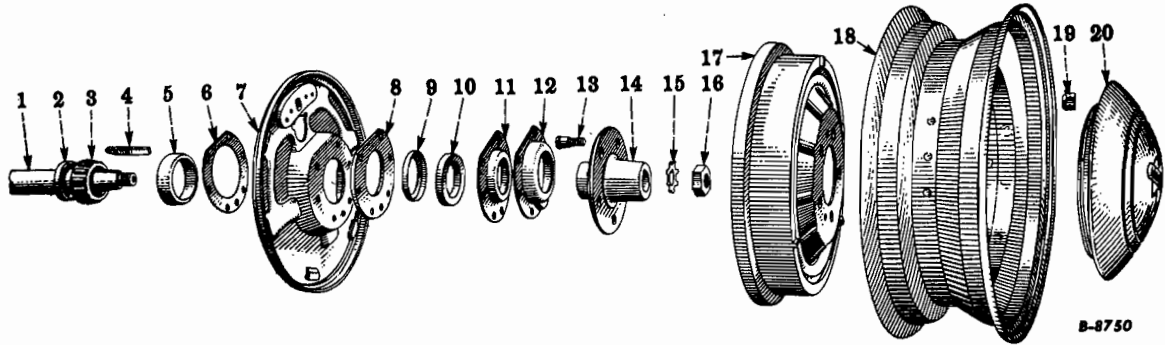


FIG. 17-8 - REAR WHEEL, HUB AND BRAKE DRUM (Disc)
(R-110 Series)

KEY	DESCRIPTION	NO. REQ'D	I H PART NUMBER
1	SHAFT (SEE GROUP 14)		
2	SEAL (SEE GROUP 14)		
3	BEARING (SEE GROUP 14)		
4	KEY (SEE GROUP 14)		
5	BEARING (SEE GROUP 14)		
6	SHIM		
	.003" THICK	AR	52 897 H
	.005" THICK	AR	52 898 H
	.020" THICK	AR	52 899 H
7	PLATE (SEE GROUP 04)		
8	PLATE	2	52 895 H
9	RETAINER	2	1 113 YA
10	SEAL	2	1 112 Y
11	RETAINER, w/SEAL, ASM.	2	52 896 HAX
12	GUARD	2	85 206 H
13	BOLT		
	LT.	5	69 956 H
	RT.	5	69 955 H
14	HUB	2	84 880 H
15	LOCK	2	1 120 Y
16	NUT	2	1 121 Y
17	DRUM	2	97 377 HB
18	WHEEL, ASM.		
	FOR 6.00 x 16, 6.50 x 16, 7.00 x 16 TIRES	2	98 365 HA
	FOR 6.70 x 15 TIRES	2	124 371 R9I
	WHEEL, LESS RING, ASM. (FOR 7.00 x 15 TIRES)	2	126 117 R9I
	RING (FOR 7.00 x 15 TIRES)	2	126 131 RI
	WHEEL, ASM. (FOR 7.10 x 15 TIRES)	2	84 884 HA
19	NUT		
	LT.	5	69 958 H
	RT.	5	69 957 H
20	CAP	2	97 337 H

MT-97

GROUP 17 - WHEELS

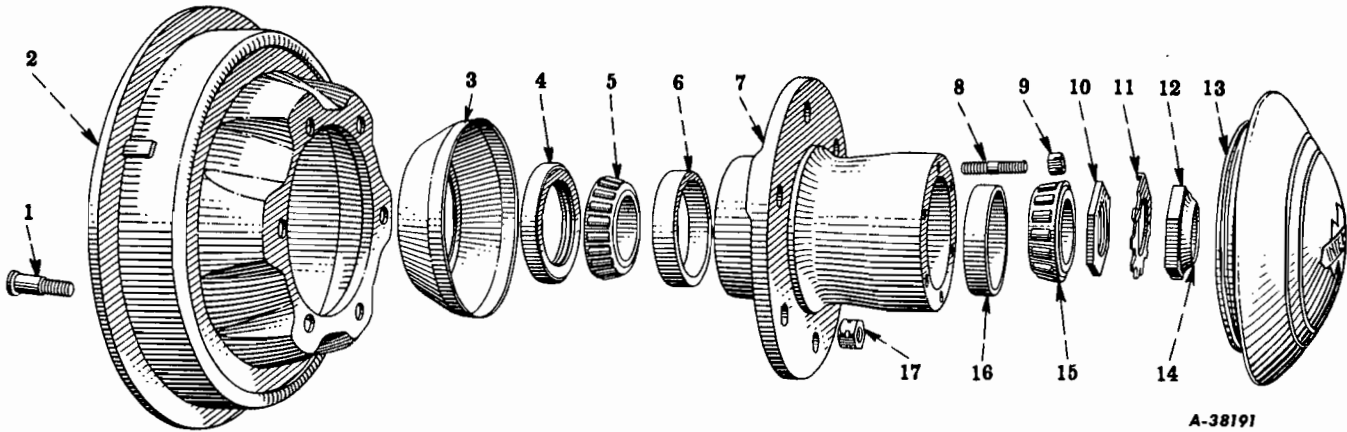


FIG. 17-9 - REAR WHEEL HUB AND BRAKE DRUM (Disc)
(R-120 Series - With 16" Tires)

KEY	DESCRIPTION	NO. REQ'D	I H PART NUMBER
1	BOLT		
	LT.	6	96 915 H
	RT.	6	96 914 H
2	DRUM, ASM.	2	73 578 R93
3	GUARD	2	73 464 R1
4	SEAL, ASM.	2	65 698 R91
5	BEARING	2	ST 2 010
6	BEARING	2	ST 964
7	HUB, w/BEARINGS, ASM.	2	90 221 R91
8	STUD (SEE GROUP 14)		
9	NUT (SEE GROUP 14)		
10	NUT	2	65 677 R1
11	LOCK	2	65 678 R1
12	NUT, w/SEAL, ASM.	2	65 679 R1
13	CAP	2	96 918 H
14	SEAL	2	58 540 H
15	BEARING	2	65 674 R91
16	BEARING	2	65 681 R1
17	NUT		
	LT.	6	96 917 H
	RT.	6	96 916 H
⊛	SHIELD, DUST	2	101 513 R1
⊛	PARTS NOT ILLUSTRATED		

PRINTED IN UNITED STATES OF AMERICA

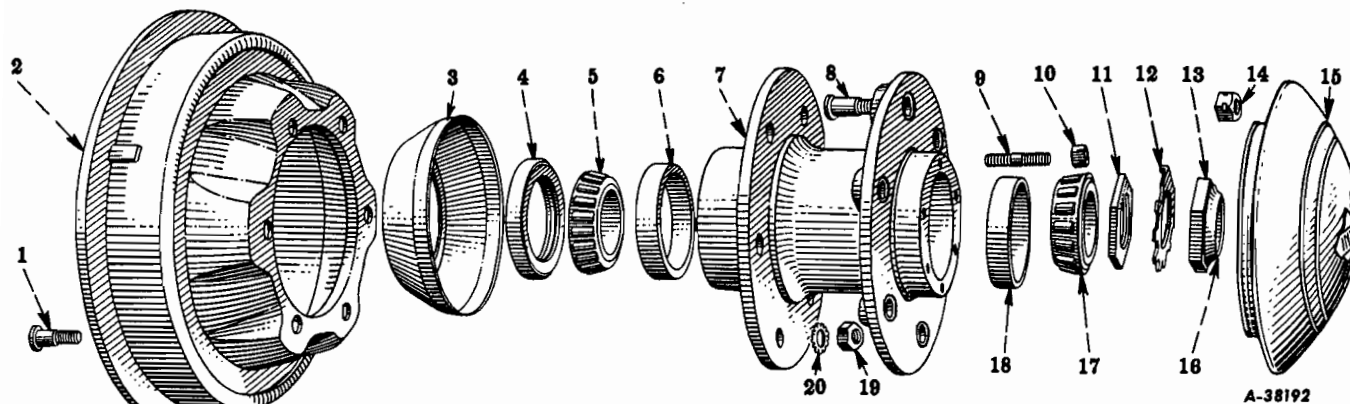


FIG. 17-10 - REAR WHEEL HUB AND BRAKE DRUM (Disc)
(R-120 Series - With 20" Tires)

KEY	DESCRIPTION	NO. REQ'D	I H PART NUMBER
1	BOLT	12	91 816 R1
2	DRUM, ASM.	2	73 578 R93
3	GUARD	2	73 464 R1
4	SEAL, ASM.	2	65 698 R91
5	BEARING	2	ST 2 010
6	BEARING	2	ST 964
7	HUB, w/BEARINGS, ASM.	2	91 817 R11
8	BOLT		
	LT.	6	80 496 R1
	RT.	6	80 497 R1
9	STUD (SEE GROUP 14)		
10	NUT (SEE GROUP 14)		
11	NUT	2	65 677 R1
12	LOCK	2	65 678 R1
13	NUT, w/SEAL, ASM.	2	65 679 R11
14	NUT		
	LT.	6	96 917 H
	RT.	6	96 916 H
15	CAP	2	96 918 H
16	SEAL	2	58 540 H
17	BEARING	2	65 674 R91
18	BEARING	2	65 681 R1
19	NUT, HEX., 5/8NF	12	103 030
20	WASHER, LK., 5/8", EXT.	12	138 504
⊙	SHIELD, DUST	2	101 513 R1
⊙	PARTS NOT ILLUSTRATED		

PRINTED IN UNITED STATES OF AMERICA

MT-97

GROUP 17 - WHEELS

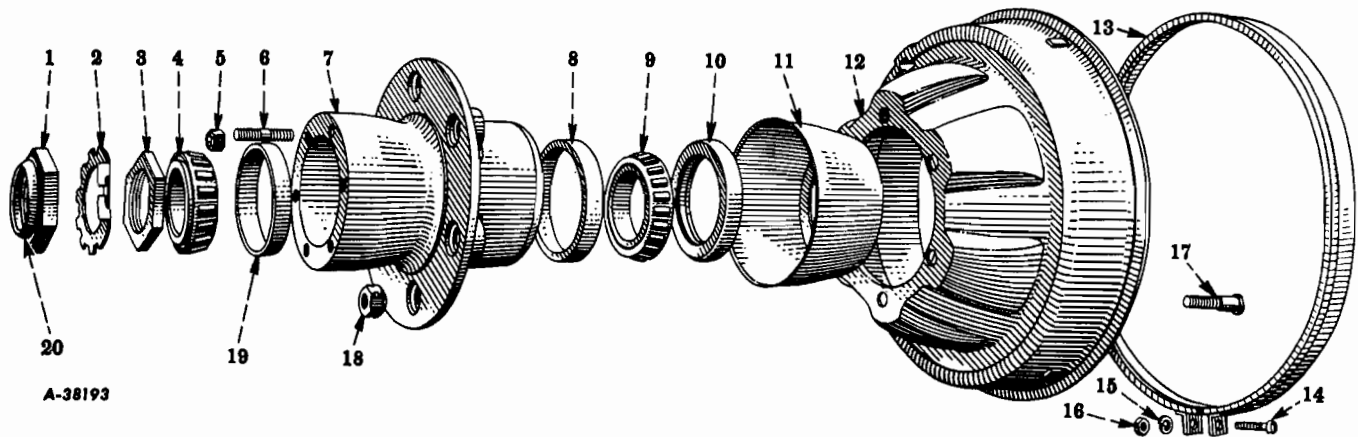


FIG. 17-11 - REAR WHEEL HUB AND BRAKE DRUM (Disc)
(R-130 Series)

KEY	DESCRIPTION	NO. REQ'D	I H PART NUMBER
1	NUT, w/SEAL, ASM. <i>No longer supplied w/seal</i>	2	50 323 R11
2	LOCK <i>also this ref 20</i>	2	50 324 R1
3	NUT	2	50 325 R1
4	BEARING	2	22 366 V
5	NUT (SEE GROUP 14)		
6	STUD (SEE GROUP 14)		
7	HUB, w/ASM.	2	90 307 R9I
8	BEARING	2	13 390 D
9	BEARING	2	ST 2 026
10	SEAL, ASM.	2	94 399 R9I
11	GUARD	2	85 611 R1
12	DRUM, ASM.	2	85 613 R9I
13	SHIELD, ASM.	2	109 989 R11
14	SCREW, FIL-HD., 1/4NF x 1-1/2"	2	226 309
15	WASHER, LK., 1/4", MED.	2	103 319
16	NUT, HEX., 1/4NF	2	103 024
17	BOLT		
	FOR 7.00 x 16, 7.50 x 16 TIRES		
	LT.	6	80 496 R1
	RT.	6	80 497 R1
	FOR 6.00 x 16, 6.50 x 16, 6.50 x 20, 7.00 x 20 TIRES		
	LT.	6	80 494 R1
	RT.	6	80 495 R1 ✓
18	NUT		
	LT.	6	81 365 H
	RT.	6	81 364 H
19	BEARING	2	92 992 R1
20	SEAL	2	50 322 R1

PRINTED IN UNITED STATES OF AMERICA

GROUP 17 - WHEELS

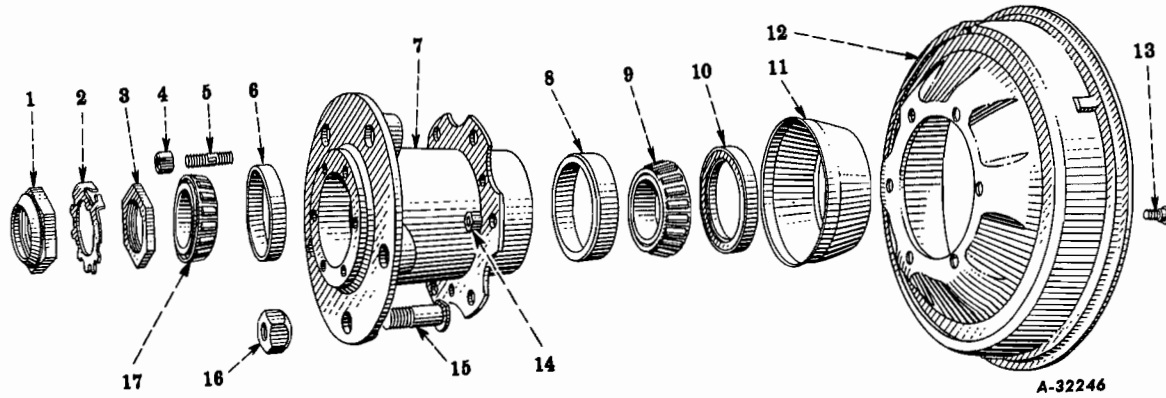


FIG. 17-12 - REAR WHEEL HUB AND BRAKE DRUM (Disc) (Single)
(R-140-4x4, R-150 Series)

KEY	DESCRIPTION	NO. REQ'D	I H PART NUMBER
1	NUT, w/SEAL, ASM.	2	50 323 R11
	SEAL	2	50 322 R1
2	LOCK	2	50 324 R1
3	NUT	2	50 325 R1
4	NUT (SEE GROUP 14)		
5	STUD (SEE GROUP 14)		
6	BEARING	2	82 992 R1
7	HUB, w/BEARINGS, ASM.		
	FOR R-140-4x4 SERIES	2	123 964 R11
	FOR R-150 SERIES	2	105 434 R11
8	BEARING	2	13 363 D
9	BEARING	2	13 367 DC
10	SEAL, ASM.	2	94 399 R91
11	GUARD	2	86 480 R1
12	DRUM, ASM.		
	w/STO. BRK.		
	R-140-4x4, R-150	2	85 602 R91
	R-153	2	85 601 R91
	w/INCREASED CAPACITY BRK., CODE 0405	2	85 601 R91
13	BOLT	12	125 331 H
14	NUT, HEX., LK., 1/2NF	12	12 260 R1
15	BOLT		
	LT.	5	69 327 R2
	RT.	5	69 328 R2
16	NUT		
	LT.	5	84 712 H
	RT.	5	84 711 H
17	BEARING	2	22 366 V

MT-97 Rev. No. 2, 7/56

GROUP 17 - WHEELS

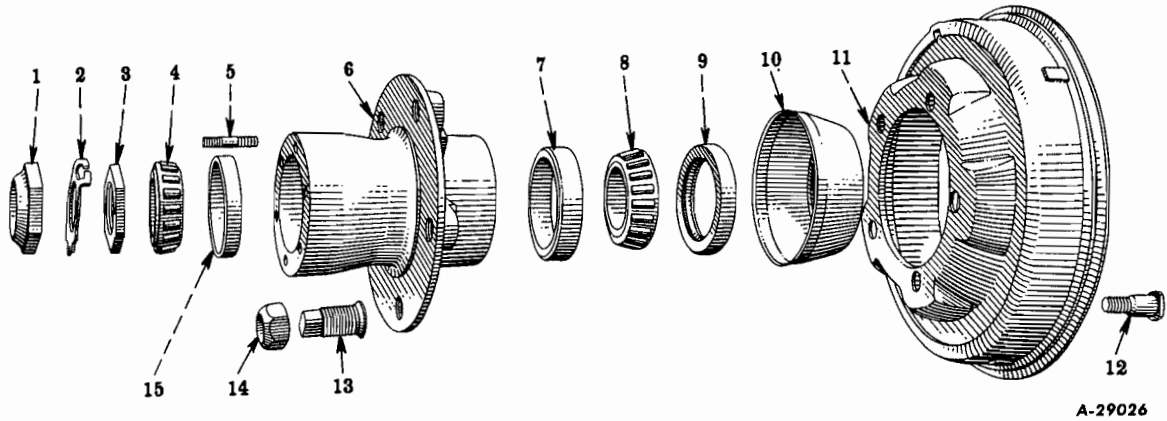


FIG. 17-13 - REAR WHEEL HUB AND BRAKE DRUM (Disc) (Dual)
(R-140-4x4, R-150, R-153, R-160, R-163, R-165, R-160-4x4, RC-160)

KEY	DESCRIPTION	NO. REQ'D	I H PART NUMBER	
			R-140-4x4 R-150 SERIES	R-160 R-160-4x4 SERIES
1	NUT, w/SEAL, ASM.	2	50 323 R11	53 395 HX
	SEAL	2	50 322 R1	52 753 HA
2	LOCK	2	50 324 R1	36 416 HB
3	NUT	2	50 325 R1	36 415 HB
4	BEARING	2	22 366 V	ST 2 012
5	STUD (SEE GROUP 14)			
6	HUB w/BEARINGS ASM.	2	101 789 R91	71 311 R11
7	BEARING	2	13 363 D	13 363 D
8	BEARING	2	13 367 DC	ST 2 007 A
9	SEAL, ASM.	2	69 020 R91	69 020 R91
10	GUARD	2	74 329 R1	74 329 R1
11	DRUM, ASM.			
	w/STD., BRK.			
	R-140-4 x 4, R-150	2	102 674 R91	
	R-153	2	71 313 R91	
	R-160, R-163, R-165, R-160-4 x 4	2		71 313 R91
w/INCREASED CAPACITY BRK., CODE 0405				
	R-150	2	71 313 R91	
	R-160, R-163, R-165, R-160-4 x 4	2		73 559 R91
12	BOLT			
	LT.	5	69 327 R2	69 327 R2
	RT.	5	69 328 R2	69 328 R2
13	NUT			
	LT.	5	41 420 V	41 420 V
	RT.	5	41 419 V	41 419 V
14	NUT			
	LT.	5	83 156 H	83 156 H
	RT.	5	83 155 H	83 155 H
15	BEARING	2	82 992 R1	ST 965

PRINTED IN UNITED STATES OF AMERICA

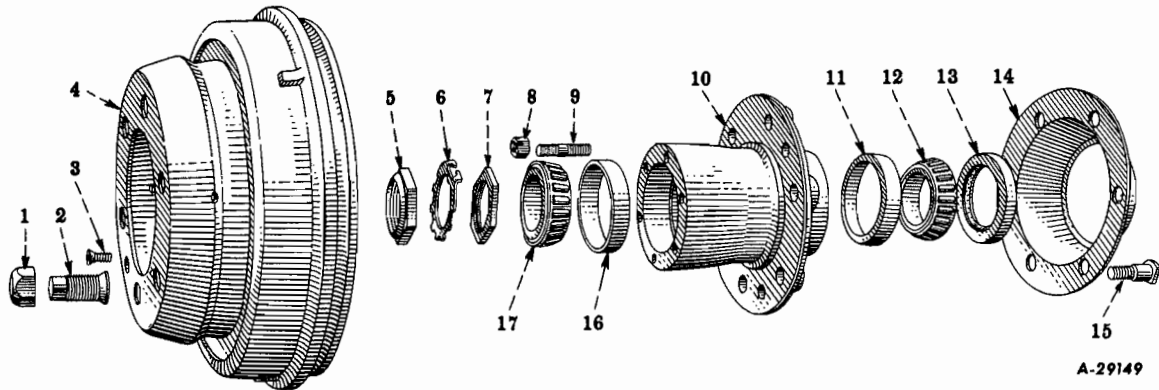


FIG. 17-14 - REAR WHEEL HUB AND BRAKE DRUM (Disc)
(R-164)

KEY	DESCRIPTION	NO. REQ'D	I H PART NUMBER
1	NUT		
	LT.	6	83 156 H
	RT.	6	83 155 H
2	NUT		
	LT.	6	41 420 V
	RT.	6	41 419 V
3	SCREW	6	71 331 R1
4	DRUM, ASM.		
	FOR STD. BRK.	2	72 546 R91
	FOR INCREASED CAPACITY BRK., CODE 0405	2	72 658 R91
5	NUT, w/SEAL, ASM.	2	53 395 HX
	SEAL	2	52 753 HA
6	LOCK	2	36 416 HB
7	NUT	2	36 415 HB
8	NUT (SEE GROUP 14)		
9	STUD (SEE GROUP 14)		
10	HUB, w/BEARING, ASM.	2	90 234 R91
11	BEARING	2	ST 856
12	BEARING	2	ST 761
13	SEAL, ASM.	2	69 307 R91
14	GUARD	2	74 463 R1
15	BOLT		
	LT.	6	80 339 R1
	RT.	6	80 340 R1
16	BEARING	2	ST 967
17	BEARING	2	ST 2 016



GROUP 17 - WHEELS

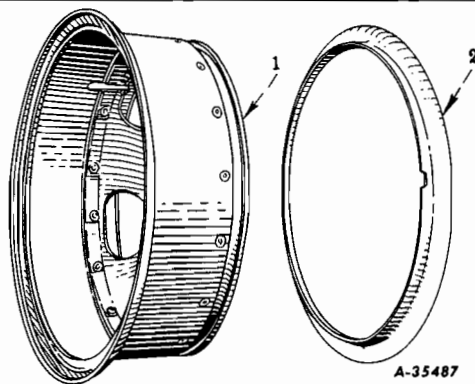


FIG. 17-15 - DISC WHEELS AND SIDE RINGS
(R-120, R-130, R-140-4x4, R-150, R-160, R-160-4x4, RC-160 Series)

KEY	DESCRIPTION	NO. REQ'D		I H PART NUMBER
		FRONT WHEELS	REAR WHEELS	
			SINGLE	DUAL
FOR 450 RIMS				
1	WHEEL, ASM.			
	FOR R-120 SERIES w/6.50 x 16 TIRES	2	2	84 506 R91
	FOR R-130 SERIES w/6.00 x 16, 6.50 x 16 TIRES	2	2	4 67 311 HA
2	RING	2	2	4 58 282 H
FOR 550 RIMS				
1	WHEEL, ASM.			
	FOR R-120 SERIES w/7.00 x 16 TIRES	2	2	96 919 H
	FOR R-130 SERIES w/7.00 x 16, 7.50 x 16 TIRES	2	2	58 284 HC
2	RING	2	2	58 285 H
FOR 500R RIMS				
1	WHEEL, ASM.			
	w/6.50 x 20 TIRES			
	R-120, R-130 SERIES	2	2	95 592 R92
	R-150, R-153, R-160, R-163, R-165, RC-160	2	2	4 61 131 R93
	R-164	2		4 61 137 R91
	w/7.00 x 17 TIRES (R-150 SERIES)	2	2	4 71 830 R92
	w/7.00 x 20 TIRES			
	R-120, R-130 SERIES	2	2	85 592 R92
	R-150, R-153, R-160, R-163, R-165, RC-160	2	2	4 61 131 R93
	R-164	2		4 61 137 R91
2	RING			
	FOR R-120, R-130, R-150, R-160, RC-160 SERIES w/6.50 x 20, 7.00 x 20 TIRES	2	2	4 37 695 HB
	FOR R-150 SERIES w/7.00 x 17 TIRES	2	2	4 59 365 R1
FOR 600S RIMS				
1	WHEEL, ASM.			
	w/7.50 x 17 TIRES (R-140-4x4, R-150 SERIES)	2	2	4 71 829 R92
	w/7.50 x 20 TIRES			
	R-150, R-153, R-160, R-163, R-165, R-160-4x4, RC-160	2	2	4 61 133 R92
	R-164	2		4 61 139 R92

MT-97



GROUP 17 - WHEELS

KEY	DESCRIPTION	NO. REQ'D			I H PART NUMBER
		FRONT WHEELS	REAR WHEELS		
			SINGLE	DUAL	

FIG. 17-15 -- DISC WHEELS AND SIDE RINGS - Continued

FOR 600S RIMS

1	WHEEL, ASM. (CON'T)				
	w/8.25 x 17 TIRES (R-140-4x4, R-150 SERIES)	2	2	4	71 829 R92
	w/8.25 x 20 TIRES				
	R-150, R-153, R-160, R-163, R-165, R-160-4x4, RC-160	2	2	4	61 133 R92
	R-164	2		4	61 139 R92
2	RING				
	FOR R-140-4x4, R-150 SERIES w/7.50 x 17, 8.25 x 17 TIRES	2	2	4	71 831 R1
	FOR R-150, R-160, R-160-4x4, RC-160 SERIES w/7.50 x 20, 8.25 x 20 TIRES	2	2	4	37 645 HB

FOR 700T RIMS

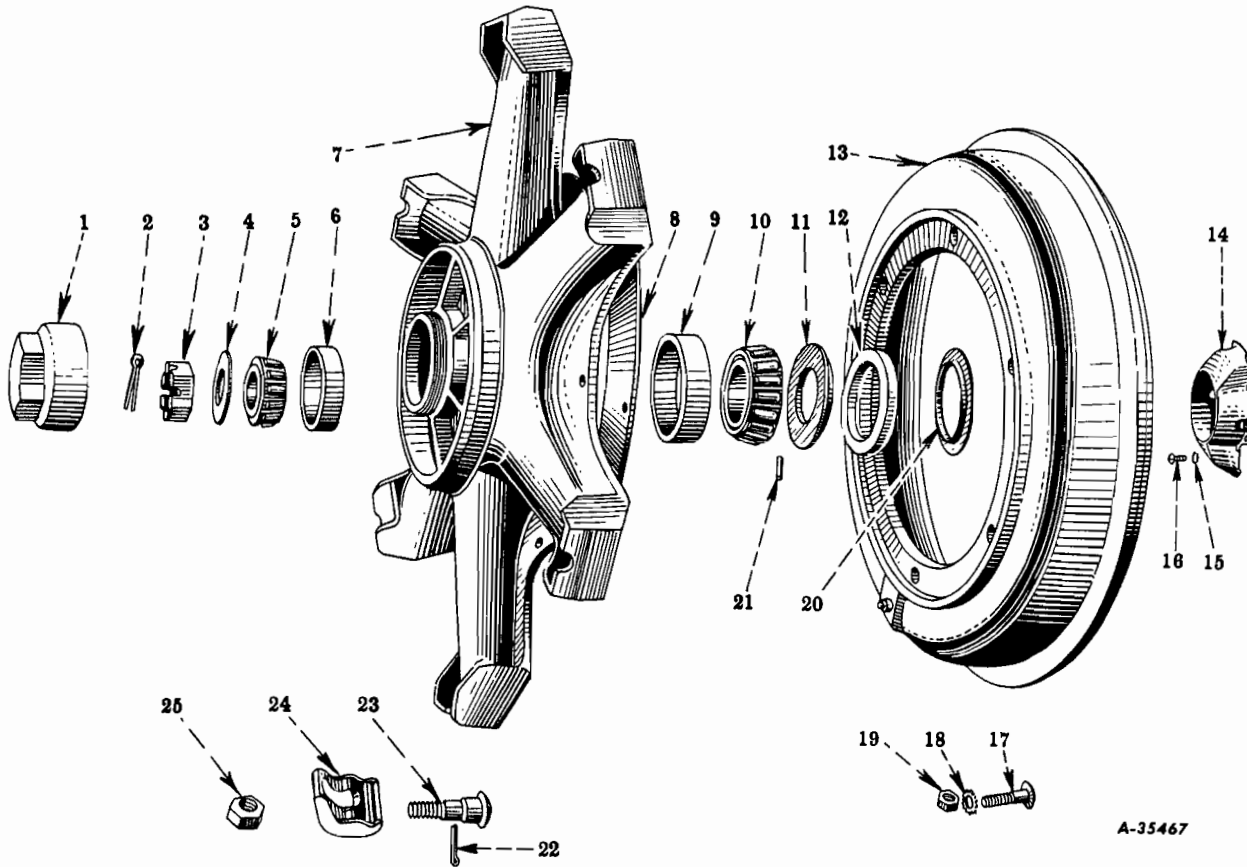
1	WHEEL, ASM.				
	w/8.25 x 20 TIRES (R-165)	2		4	110 255 R91
	w/9.00 x 18 TIRES (R-140-4x4)	2	2		124 661 R91
	w/9.00 x 20 TIRES				
	R-164			4	92 755 R92
	R-165	2		4	110 255 R91
2	RING				
	FOR R-140-4x4 w/9.00 x 18 TIRES	2	2		124 663 R1
	FOR R-164, R-165 w/8.25 x 20, 9.00 x 20 TIRES	2		4	37 648 HB

FOR 750V RIMS

1	WHEEL, ASM.				
	FOR R-140-4x4 SERIES w/11.00 x 18 TIRES	2	2		127 798 R91
	FOR R-160-4x4 SERIES w/11.00 x 20 TIRES	2			123 718 R91
2	RING				
	FOR R-140-4x4 SERIES w/11.00 x 18 TIRES	2	2		127 799 R1
	FOR R-160-4x4 SERIES w/11.00 x 20 TIRES	2			37 661 HB

MT-97

GROUP 17 - WHEELS



A-35467

FIG. 17-16 - FRONT WHEEL AND BRAKE DRUM (Cast)
(R-160, RC-160 Series)

KEY	DESCRIPTION	NO. REQ'D	I H PART NUMBER
1	CAP	2	43 328 HA
2	PIN, COTTER, 1/8 x 1-1/2"	2	103 388
3	NUT	2	27 197 H
4	WASHER	2	97 787 H
5	BEARING	2	13 321 DA
6	BEARING	2	13 417 D
7	WHEEL		
	FOR 6.50 x 20, 7.00 x 20 TIRES	2	82 198 R2
	FOR 7.50 x 20, 8.25 x 20 TIRES AND 600S RIMS	2	82 198 R2
	FOR 8.25 x 20 TIRES AND 7.00 T RIMS	2	110 069 R11
8	SHIELD	2	82 117 R1
9	BEARING	2	ST 860
10	BEARING	2	ST 763
11	RETAINER	2	83 907 H
12	SEAL, ASM.	2	25 008 HE
13	DRUM	2	70 652 R1
14	GUARD	2	69 587 R11
15	WASHER, LK., 1/4", MED.	8	103 319
16	SCREW, RD-HD., 1/4NC x 1/2"	8	124 060

PRINTED IN UNITED STATES OF AMERICA

MT-97

GROUP 17 - WHEELS

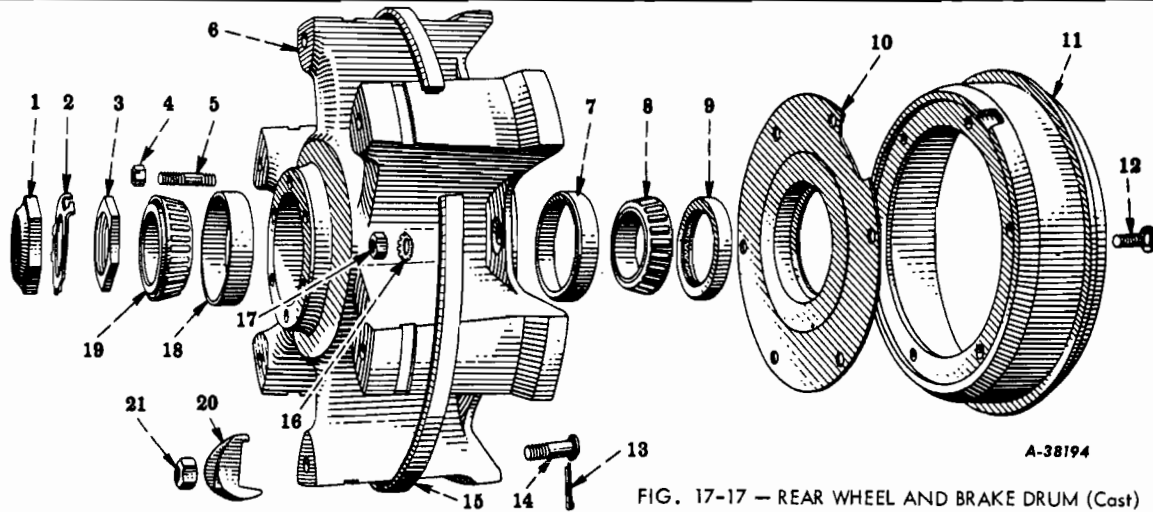
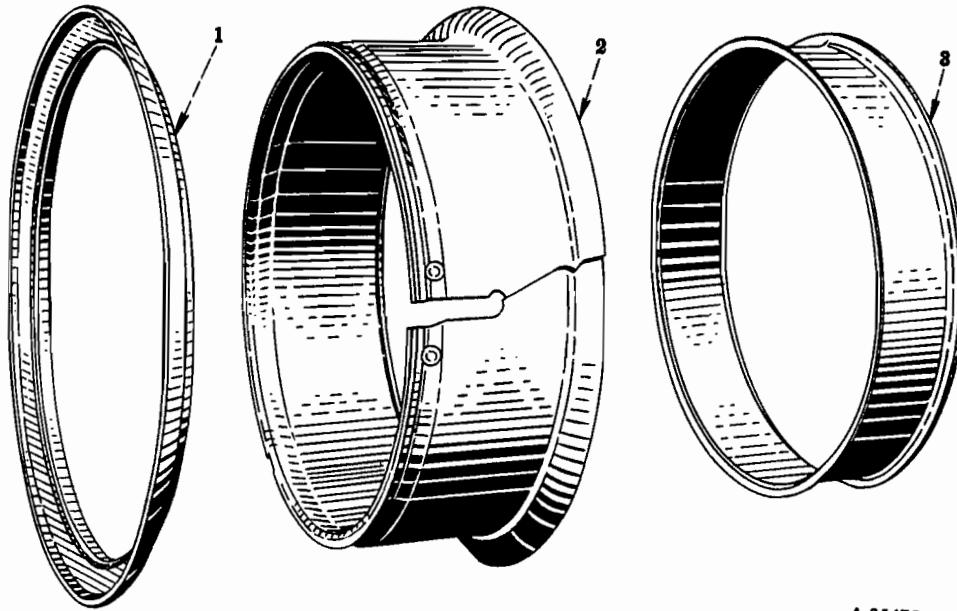


FIG. 17-17 - REAR WHEEL AND BRAKE DRUM (Cast)
(R-160, RC-160 Series)

KEY	DESCRIPTION	NO. REQ'D	I H PART NUMBER	
			R-160, R-163 R-165, RC-160	R-164
1	NUT, w/SEAL, ASM.	2	53 395 HX	53 395 HX
	SEAL	2	52 753 HA	52 753 HA
2	LOCK	2	36 416 HB	36 416 HB
3	NUT	2	36 415 HB	36 415 HB
4	NUT (SEE GROUP 14)			
5	STUD (SEE GROUP 14)			
6	WHEEL, w/BEARINGS, ASM.			
	FOR 6.50 x 20, 7.00 x 20, 7.50 x 20 TIRES	2	90 008 R91	90 018 R91
	FOR 8.25 x 20 TIRES AND 600S RIMS	2	90 008 R91	90 018 R91
	FOR 8.25 x 20 TIRES AND 650T RIMS	2	92 970 R11	
	FOR 9.00 x 20 TIRES	2	92 970 R11	90 018 R91
	FOR 10.00 x 20, 11.00 x 20 TIRES	2	92 970 R11	93 757 R11
7	BEARING	2	13 363 D	ST 856
8	BEARING	2	ST 2 007 A	ST 761
9	SEAL, ASM.	2	94 399 R91	69 307 R91
10	GUARD, ASM.	2	70 665 R11	54 563 HX
11	DRUM			
	FOR STD. BRKS.	2	95 223 H	88 291 H
	FOR INCREASED CAPACITY BRKS., CODE 0405	2	102 566 H	88 293 H
12	BOLT	12	119 343 H	119 343 H
13	PIN, COTTER, 1/8 x 1"	12	103 385	103 385
14	BOLT	12	75 887 H	75 887 H
15	RING (FOR SINGLE WHEELS, ONLY)	2	68 338 H	68 338 H
16	WASHER, LK., 5/8", EXT.	12	138 504	138 504
17	NUT	12	120 845 H	120 845 H
18	BEARING	2	ST 965	ST 967
19	BEARING	2	ST 2 012	ST 2 016
20	CLAMP			
	FOR SINGLE WHEELS	12	68 336 H	68 336 H
	FOR DUAL WHEELS	12	68 335 H	68 335 H
21	NUT	12	21 814 H	21 814 H

PRINTED IN UNITED STATES OF AMERICA



A-35475

FIG. 17-18 - RIMS, SIDE RINGS AND REAR WHEEL SPACERS (For Cast Wheels)
(R-160, RC-160 Series)

KEY	DESCRIPTION	NO. REQ'D			I H PART NUMBER
		FRONT WHEELS	REAR WHEELS		
			SINGLE	DUAL	
1	RING				
	FOR 500R RIMS	2		4	30 754 HA
	FOR 600S RIMS	2	2	4	30 756 HA
	FOR 650T RIMS			4	29 716 HA
	FOR 700T RIMS	2	2	4	29 716 HA
	FOR 750V RIMS			2	30 758 HA
	FOR 800V RIMS			2	30 758 HA
2	RIM				
	500R	2			57 998 R1
	600S	2	2	4	57 999 R1
	650T			4	29 715 H
	700T				
	w/8.25 x 20 TIRES	2		4	29 715 H
	w/9.00 x 20 TIRES			2	56 267 R1
	750V			2	67 132 R2
800V			2	30 757 H	
3	SPACER			2	68 322 H

MT-97

MEMORANDA

